

IBM / Technical Newsletter

This Newsletter No. SN34-0630
Date July 1, 1980
Base Publication No. SY31-0414-3
Previous Newsletters None

**IBM 5103
Printer
Maintenance Information Manual**

© IBM Corp. 1975, 1976, 1978, 1979

This Technical Newsletter provides replacement pages for the subject publication. Pages to be inserted and/or removed are:

1-7, 1-8

1-51, 1-51.1

1-51.2, 1-52

Reader's comment form

A technical change to the text or to an illustration is indicated by a vertical line to the left of the change.

Summary of Amendments

Additions to text have been made for the inclusion of ribbon cartridge procedures. Minor alterations of text have been made for accuracy and clarity.

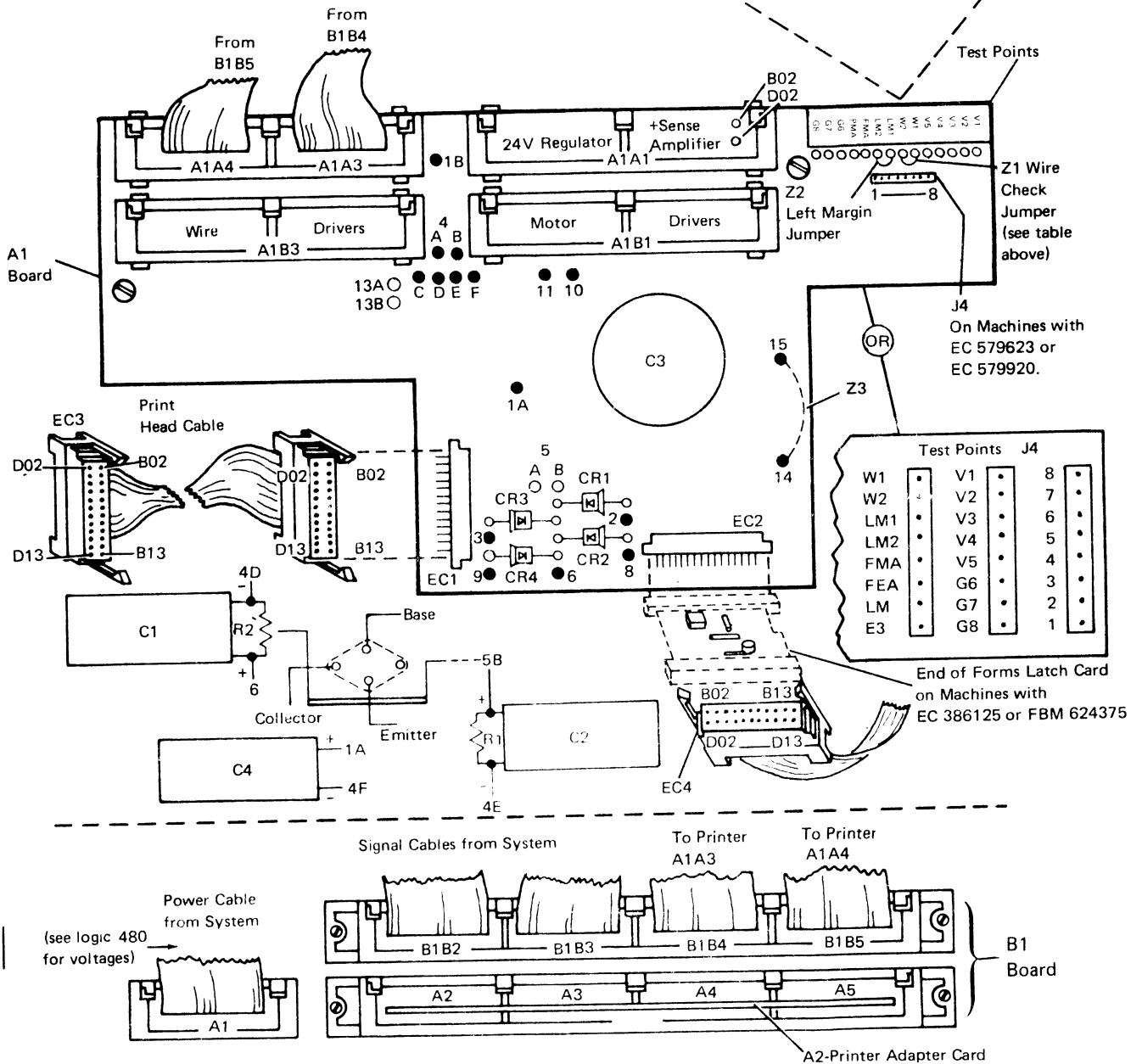
Note. Please file this cover letter at the back of the manual to provide a record of changes.



Maintenance

304 POWER SUPPLY BOARD A1 AND PRINTER ADAPTER BOARD B1

Test Points	Tolerance	
V1	+24 Vdc	21.6 Vdc 26.4 Vdc
V2	+30 Vdc	27.0 Vdc 40.0 Vdc
V3	+10.8 Vdc	8.1 Vdc 15.0 Vdc
V4	+5 Vdc	4.6 Vdc 5.5 Vdc
V5	+5 Vdc	4.6 Vdc 5.5 Vdc
W1	Wire On	
W2	Sets Wire Check (to adapter)	
LM1	Left Margin	
LM2	Left Margin (to adapter)	
FMA	A Forms Drive	
PMA	A Print Head Driver	
G6;7	Ground from A1A3, A4	
G8	Ground from A1A4	



Covers

310 PRINTER COVER

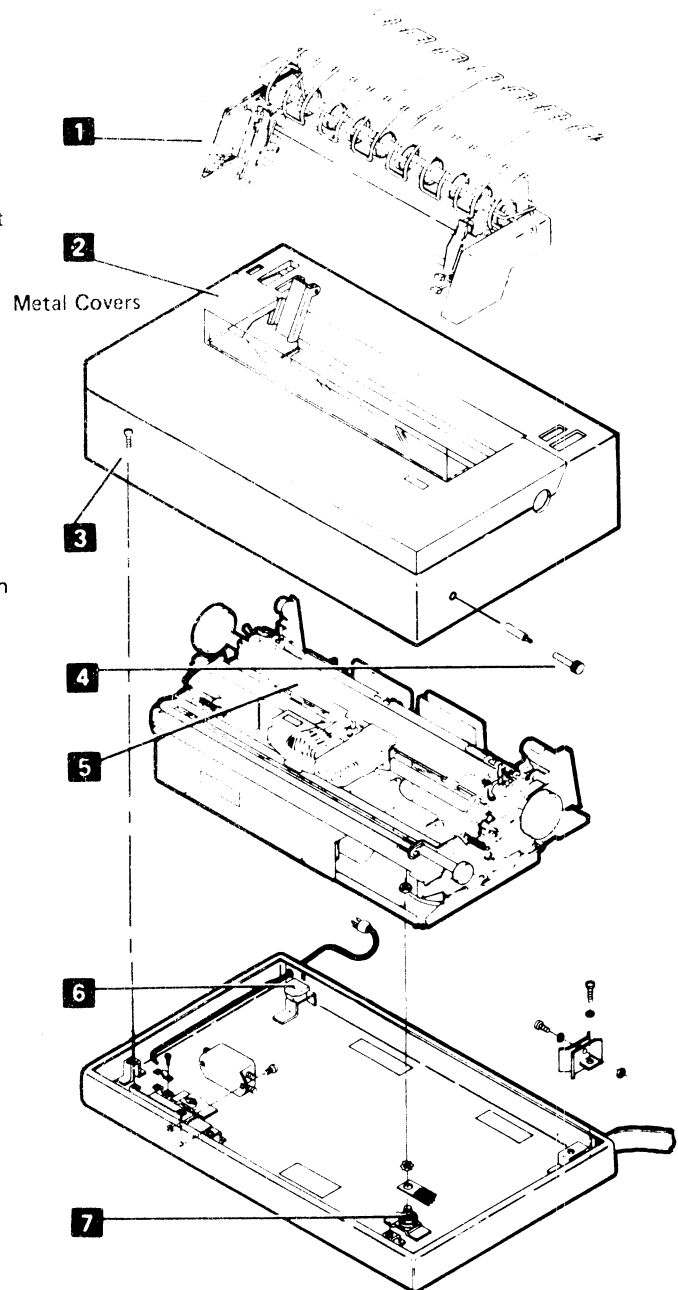
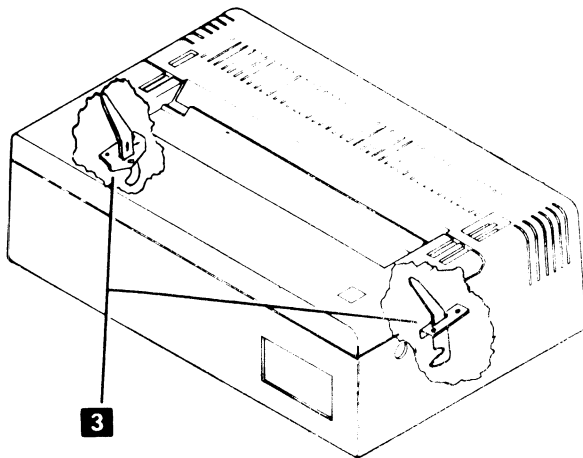
Adjustment

1. Center the platen knobs vertically and maintain a gap of 1/8 inch to 5/32 inch (3.18 mm to 3.96 mm) between the top cover **2** and the forms tractor **1** by adjusting the pads **6** in back and the double nuts in front.
2. Position the printer horizontally on the double nut studs **7** to center the paper release lever.

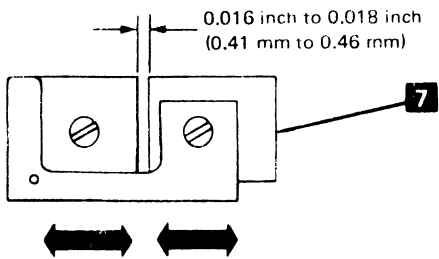
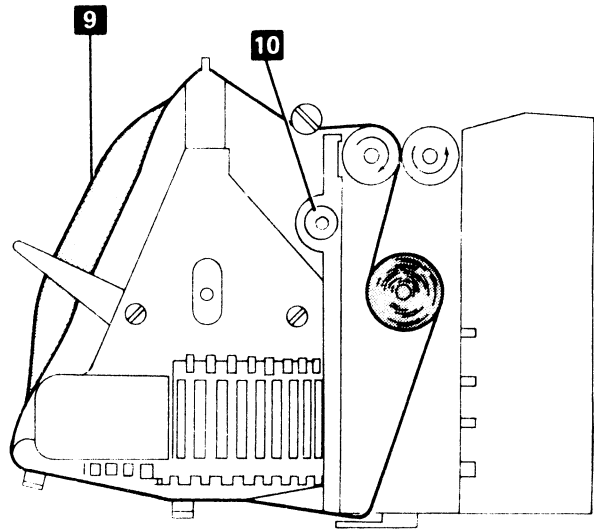
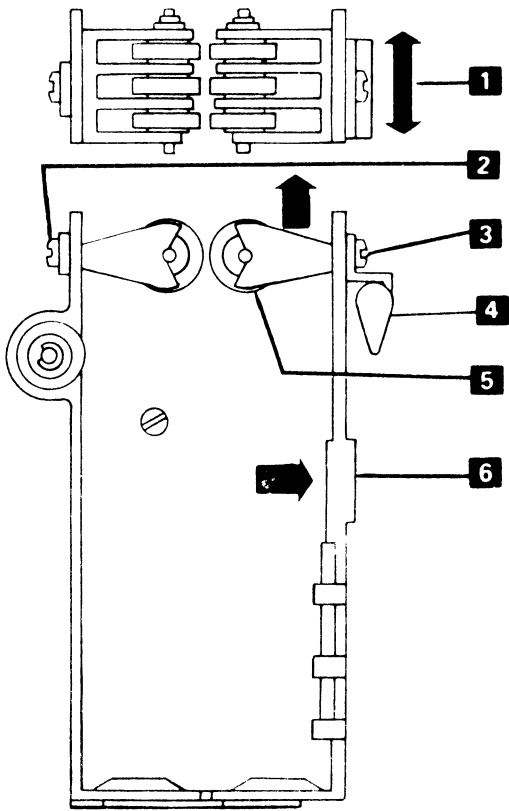
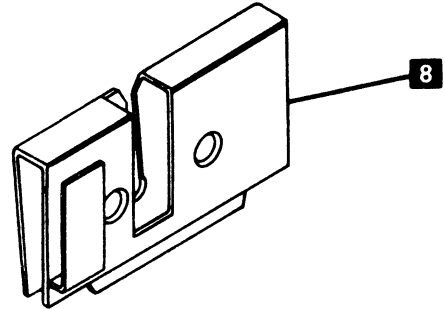
Removal

1. Power down.
2. Remove the forms tractor unit (324). **1**
3. Remove the platen (320). **5**
4. Pull off the horizontal fine adjustment knob **4** on metal covers; on plastic covers, loosen the set screw first.
5. Remove the sliding covers if the machine has plastic covers.
6. Loosen the fasteners **3** and remove the covers. Some covers have screws for fasteners.
7. To replace, reverse this procedure.

Plastic Covers



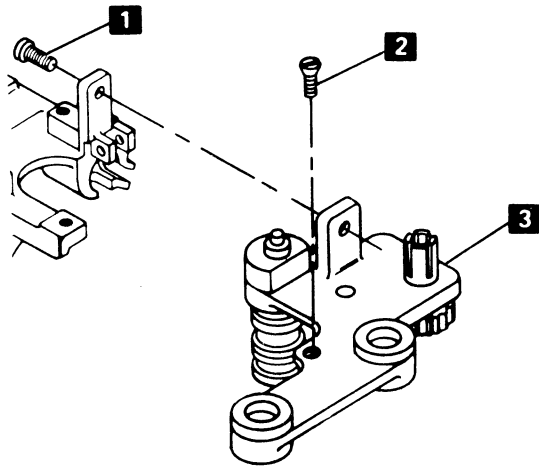
9. Thread the other end of the ribbon as shown. The half twist should now be beside the horizontal guides.
10. Take up ribbon slack by rotating the knurled knob **10**. Guide the ribbon between the horizontal guides so that 1/4 turn counterclockwise is on each side of the guide.
11. Close the cover, restore the forms tractor to operating position, and power up.



377 RIBBON CARTRIDGE ADAPTER PLATE ASSEMBLY

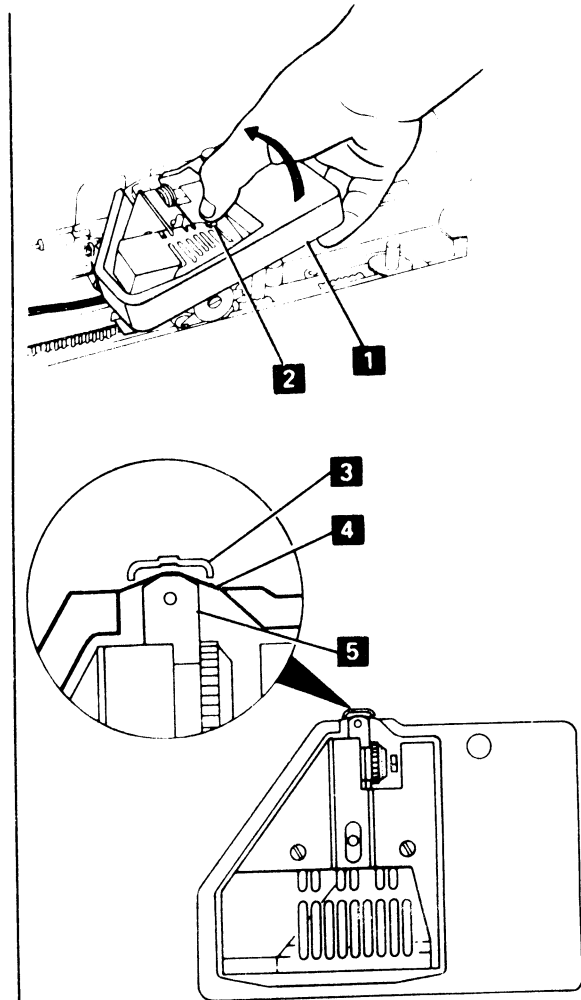
Removal

1. Power down.
2. Remove the printer cover (310).
3. Remove the ribbon cartridge (379).
4. Remove the print head cover (360).
5. Remove the ribbon drive lines (373).
6. Remove the adapter plate assembly mounting screws **1** and **2**.
7. Lift the adapter plate assembly **3** from the machine.
8. To reinstall the adapter plate assembly, reverse this procedure.



378 RIBBON CARTRIDGE CHANGING

1. Power down.
2. Open the top cover.
3. Grasp the cartridge **1** in your right hand. Press your thumb down on the cover mounting screw **2** while lifting the wide part of the cartridge until the cartridge releases upward.
4. Lift the cartridge free of the print head and dispose of the cartridge.
5. Obtain a new ribbon cartridge.
6. Guide the exposed ribbon **4** between the print head tip **5** and the ribbon shield **3**.
7. Lower the cartridge into place around the print head. Press down on the cartridge until it firmly seats.
8. Move the print head left and right to ensure proper seating of the cartridge and proper feeding of the ribbon. The ribbon should move freely, right-to-left past the print head tip.
9. Close the cover and power up.



Power

380 POWER TRANSFORMER

Removal

1. Remove power to the printer.
2. Separate the printer from the power supply (311).
3. Remove the following leads from TB1:
 - a. Neutral TB1-10 and phase A TB1 connection as shown in the chart on 384 **2**. (Remove the leads from the bottom side of TB1.)
 - b. Fan leads TB1-7 and TB1-10 **2**.
4. Remove the four transformer mounting screws **4**.
5. Remove the two screws from the fan mounting bracket **5**.
6. Disconnect the secondary leads from the power supply board **6**, **7**, and **8**.
7. Lift out the transformer and fan.

Replacement

1. Connect the fan leads to the new transformer.
2. Set the transformer in place, being sure that the star washer **1** is under the left rear leg of the transformer (viewed from the front of the printer).
3. Install the four mounting screws **4** in the transformer legs.
4. Connect the secondary leads into the power supply board as follows:
 - a. Black into 4B (lead 12) and 4C (lead 15) **6**.
 - b. Blue into 3 (lead 14) and 9 (lead 16) **7**.
 - c. Red into 2 (lead 11) and 8 (lead 13) **8**.
5. Install the fan (two screws) **5**.
6. Connect the neutral lead to TB1-10 and the phase A TB1 lead as shown on 384.
7. Complete the procedure by reassembling the printer on the power supply (311).

Note: Transformers with an internal shield have a ground lead that must be connected under a transformer leg when installing the transformer.

381 FAN

Removal

1. Power down.
2. Remove the printer covers and separate the printer from the power supply (311).
3. Remove the two fan leads from the transformer side of TB1-7 and TB1-10 **2**.
4. Remove the two fan bracket mounting screws **5**.
5. Lift the fan assembly out. (Make sure that the bracket clears the power supply board.)
6. Remove the fan from the bracket. When reinstalling the bracket, be sure that the air flow direction arrow on the fan points toward the bracket.
7. Reinstall the fan by reversing this procedure.

READER'S COMMENT FORM

SY31-0414-3

**IBM 5103 Printer
Maintenance Information Manual**

Your comments assist us in improving the usefulness of our publications; they are an important part of the input used in preparing updates to the publications. IBM may use and distribute any of the information you supply in any way it believes appropriate without incurring any obligation whatever. You may, of course, continue to use the information you supply.

Please do not use this form for technical questions about the system or for requests for additional publications; this only delays the response. Instead, direct your inquiries or requests to your IBM representative or the IBM branch office serving your locality.

Corrections or clarifications needed:

Page	Comment
------	---------

Cut or Fold Along Line

Please indicate your name and address in the space below if you wish a reply.

Thank you for your cooperation. No postage stamp necessary if mailed in the U.S.A.
(Elsewhere, an IBM office or representative will be happy to forward your comments.)

Reader's Comment Form

Cut Along Line

Fold and tape

Please Do Not Staple

Fold and tape



NO POSTAGE
NECESSARY
IF MAILED
IN THE
UNITED STATES

BUSINESS REPLY MAIL

FIRST CLASS PERMIT NO. 49 ARMONK, NEW YORK
POSTAGE WILL BE PAID BY ADDRESSEE

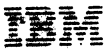


IBM Corporation
Systems Publications, Dept 27T
P.O. Box 1328
Boca Raton, Florida 33432

Fold and tape

Please Do Not Staple

Fold and tape



International Business Machines Corporation
General Systems Division
4111 Northside Parkway N.W.
P.O. Box 2150, Atlanta, Georgia 30301
(U.S.A. only)

General Business Group/International
44 South Broadway
White Plains, New York 10601
(International)

SY31-0414-3
Printed in U.S.A.