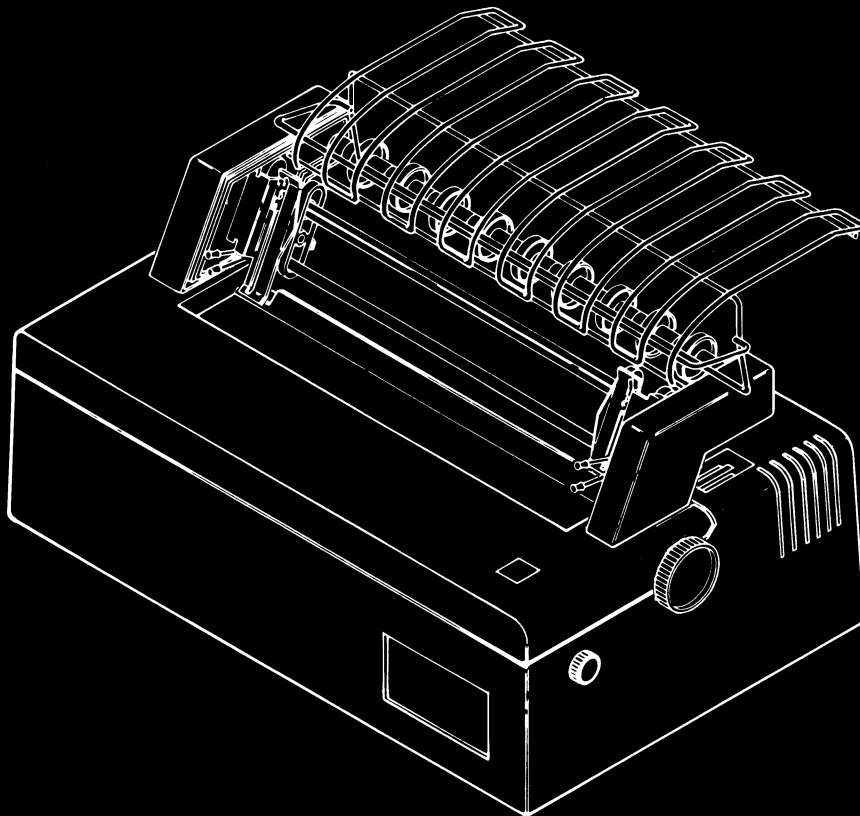




**IBM 5103
Printer
Parts Catalog**



*IBM 5103
Printer
Parts Catalog*

)

)

)

.

)

.

)

)

)



Maintenance Library

5103

**Printer
Parts Catalog**

PREFACE

This Illustrated Parts Catalog (IPC) contains listings and illustrations of all replaceable assemblies, subassemblies and detail parts released to Production Control on or before November 1, 1977.

Fourth Edition (November 1977)

Changes are continually made to the specifications herein; any such change will be reported in subsequent revisions or FE Supplements.

A form for reader's comments is provided at the back of this publication. If this form has been removed, comments may be addressed to IBM Corporation, Publications, Department 245, Rochester, Minnesota 55901.

HOW TO USE A PARTS CATALOG	ii
VISUAL INDEXES	iv
EC IDENTIFICATION	vii
CATALOG SECTION	1
Figure 1. Final ASM, Printer-Metal Covers	2
Figure 1A. Final ASM, Printer-Molded Covers	4
Figure 2. Covers and Base ASM, Metal	8
Figure 2A. Cover ASM, Molded	10
Figure 3. Printer ASM	12
Figure 4. Frame ASM	14
Figure 5. Forms Feed ASM	18
Figure 6. Platen ASM	22
Figure 7. Power Supply ASM	24
Figure 8. A-Frame ASM	28
Figure 9. Emitter ASM, Forms Feed	30
Figure 10. Carrier ASM	33
Figure 11. Carrier ASM	34
Figure 12. Cable and Jumper ASM Component Parts	36
Figure 13. Attaching Parts	38
NUMERICAL INDEX	X-1

HOW TO USE THIS PARTS CATALOG

PART I

To find parts quickly, a general understanding of the structure of this catalog is necessary. The catalog is divided into three major sections:

- The Visual Index, containing overall views of the machine, with call-outs pointing to detailed figures.
- The Catalog Section, containing a pictorial breakdown of assemblies and subassemblies.
- The Numerical Index, which is a numerical list of all parts used in the machine, with cross-references to the figure on which the part is found.

VISUAL INDEX

The Visual Index, located before the Catalog Section, contains a reduced illustration of every figure in the Catalog Section. The reduced illustrations are tied together with flow arrows to form a natural progression from large assemblies to small assemblies and possibly subassemblies. In effect, a visual table of contents is formed by the Visual Index illustrations.

CATALOG SECTION

The Catalog Section contains the full-sized illustrations previously noted in the Visual Index. Index numbers on figures refer to corresponding entries in the Group Assembly Parts List accompanying each figure. Refer to part II for explanation of terms used in the Group Assembly Parts List.

ATTACHING PARTS LIST

The Attaching Parts List contains common screws, nuts, washers, etc. that are used in the machine. Index numbers for attaching parts are on the illustration, and the description is in the Attaching Parts List.

NUMERICAL INDEX

The Numerical Index is located after the Catalog Section and contains a complete list, in numerical order, of all part numbers used on the machine. Listed with the part number is the index and figure number on which the part is illustrated. The numerical index makes it possible to locate a part when only the part number is known.

STACKED INDEX NUMBERS

Stacked Index numbers are used when showing a part and its attaching hardware. The sequence of a typical stack is shown at the right. The circled index number indicates the assembly is broken down within the figure.

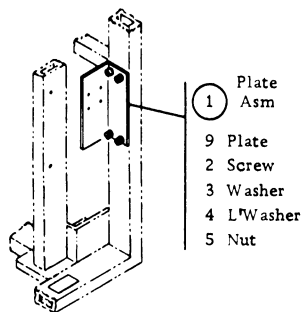


ILLUSTRATION NOTES

Cross-reference notes are directly on the illustration. The illustration's next higher assembly reference, normally located in the upper left corner of the page will read: "For Parts Not Shown See Figure X". If an assembly is referenced to a lower level figure, the note located next to the index number will read: "5 See Figure X."

DOUBLE LINED DETAIL BOX

The double lined box differentiates between parts shown on the basic model and parts related to a level and/or feature difference. An explanation of the level or feature difference is given in the double lined box.

FINDING A PART

The Visual Index is the starting point for locating a part. The illustrations in the Visual Index are reduced versions of all illustrations in the Catalog Section; therefore, the illustrations can be used to find the assembly containing the desired part. Use references to the detailed figure in the Catalog Section, or to another Visual Index illustration, to determine location of part number.

Once the detailed figure in the catalog section is determined, finding the part on the figure and referring to the listing for the part number and description is all that is required in most cases. If the first catalog section figure referenced shows the assembly containing the required part, the index number for the assembly will reference a lower-level figure where the assembly is broken down to its component parts. If the figure referenced by the Visual Index contains neither the part nor an assembly containing the part, it is then necessary to go to the next higher assembly figure. This figure should then contain the part or an assembly containing the part; if not, an even higher level figure must be used. Refer back to the Visual Index for some other figure that could show the desired part.

Note: Many detailed parts are unavailable, because they are part of an inseparable assembly (two or more parts welded or bonded together), or because they are part of an assembly purchased as a unit. If parts are found on a welded or bonded assembly, the following note follows the description of the assembly: "Assembly components are not replaceable." If the part is found on a purchased assembly, and the detail parts of this assembly do not have IBM part numbers, the note following the assembly description will read: "Assembly components are not available." In either case, you need to obtain the part number of the assembly, rather than the detailed part.

EXAMPLE FOR ORDERING PARTS

FIGURE- INDEX NUMBER	PART NUMBER	UNITS PER ASM	DESCRIPTION			
			1	2	3	4
80	5726422		FAN ASSEMBLY - PS ENCLOSURE FOR NEXT HIGHER ASM SEE LIST 3-13 AND FOR ILLUSTRATION FIG 80			
-1	334821	2	*	TERMINAL RING 18-22 AWG NO 8 INS		
-2	187864	1	*	SHIELD TERMINAL BLOCK-3 POS		
-3	5351050		*	FAN ASM - NO CONNECTOR		
-4	5351086		*	BLADE		
-5	5351067		**	MOTOR		
-6	5726426		*	HEADER - POWER SUPPLY FAN		

If the entire fan is required, part number 5726422 should be ordered (all one dot items will be received). If only the sub-assembly is required, part number 5357050 should be ordered (all two dot items will be received). Each part may be ordered individually.

HOW TO USE THIS PARTS CATALOG

PART II

- A** *AR*
As Required (AR) in the units per assembly column denotes that the quantity is used as required.
- B** *ATT PT*
Attaching Parts: These parts are used to attach a subassembly to an assembly. The attaching parts are listed in the last list just before the numeric index. Special attaching parts are listed with the figure.
- C** *INDENTURE*
The relationship of a part to its next higher assembly is indicated by indentures. For example:

- ```

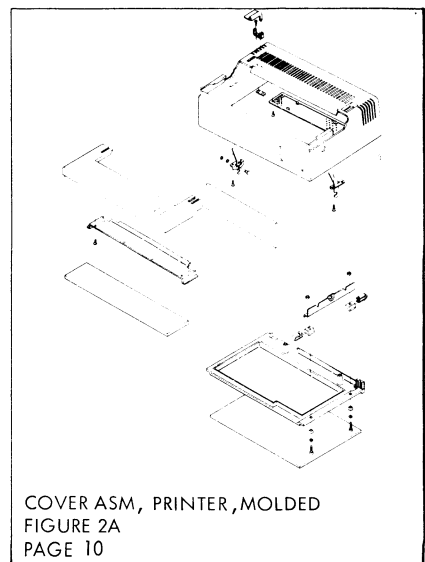
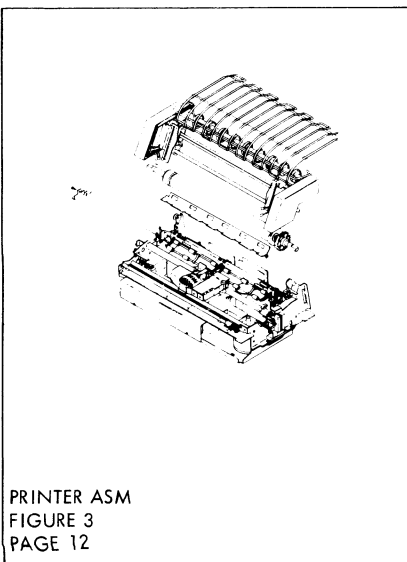
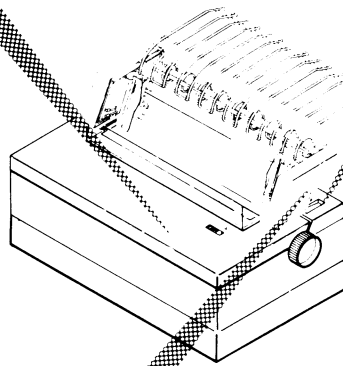
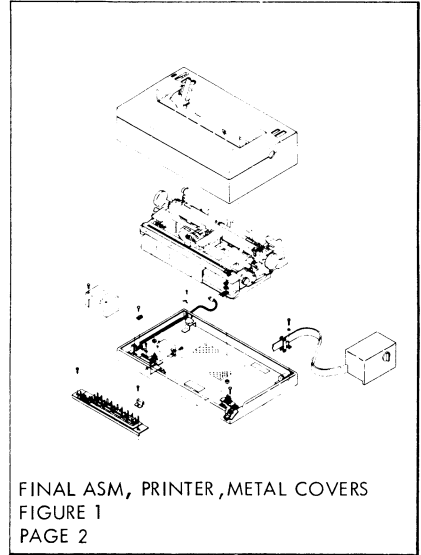
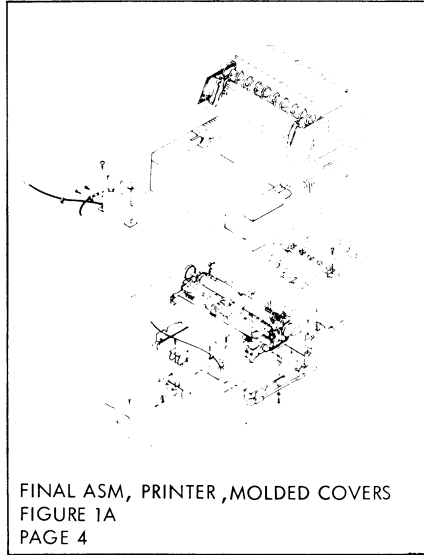
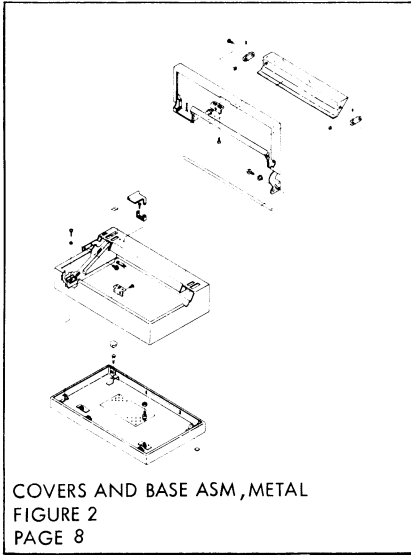
1 2 3 4
Unit
. Assemblies and Detail Parts of Unit
. Attaching Parts for Assemblies & Detail Parts
. . Subassemblies
. . . Attaching Parts for Subassemblies
. . . . Detail Parts for Subassemblies, etc.

```

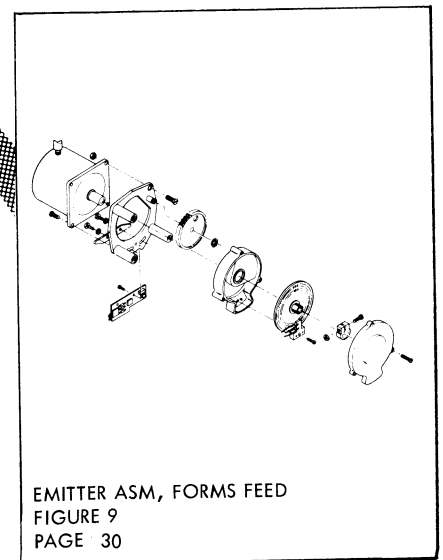
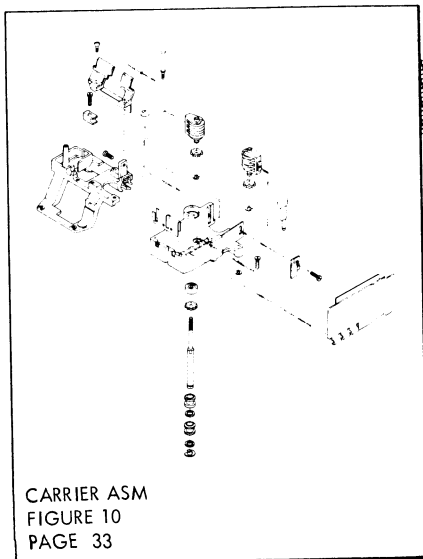
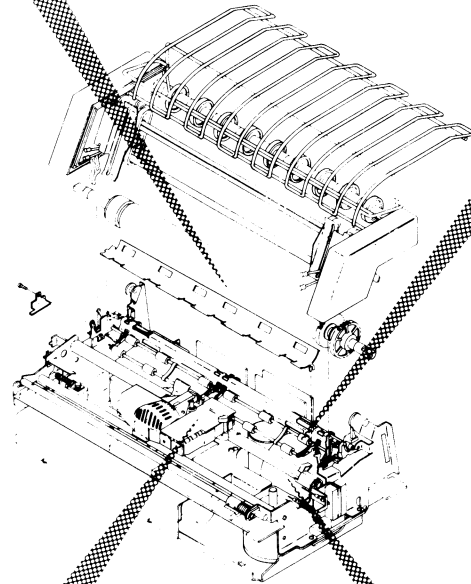
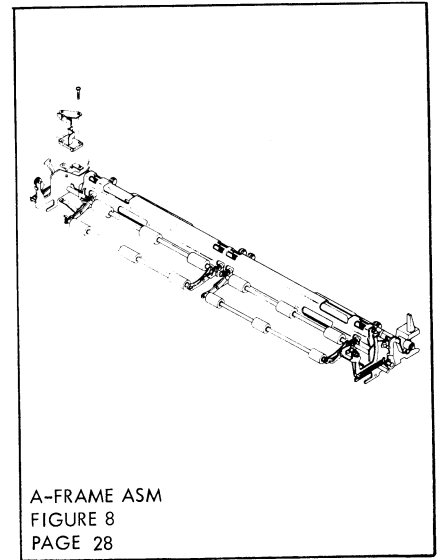
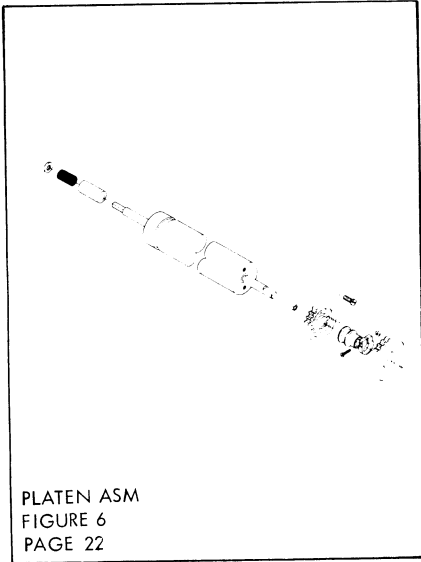
- D** *NR*  
The NR in the part number column denotes the part is procurable but not recommended for field replacement, and that the next higher assembly should be ordered.
- E** *NP*  
The entry NP in the part number column denotes the assembly is non-procurable and the detail parts should be ordered separately.
- F** *NO NO.*  
When this indication appears in the part number column, it denotes a group of parts for which no assembly part number has been assigned, and the detail parts should be ordered separately.

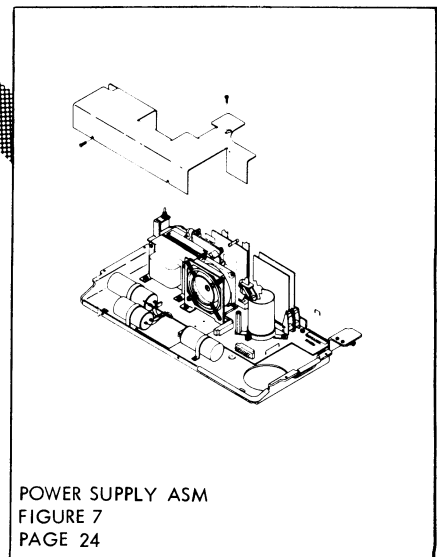
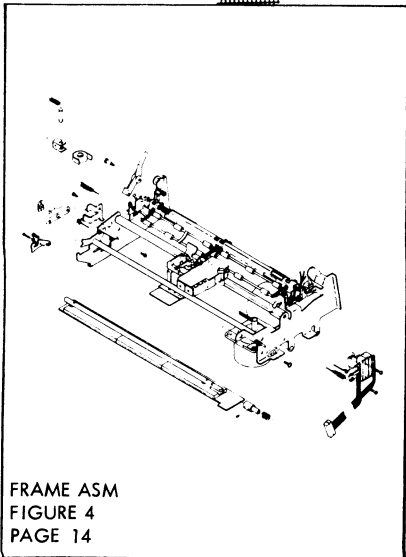
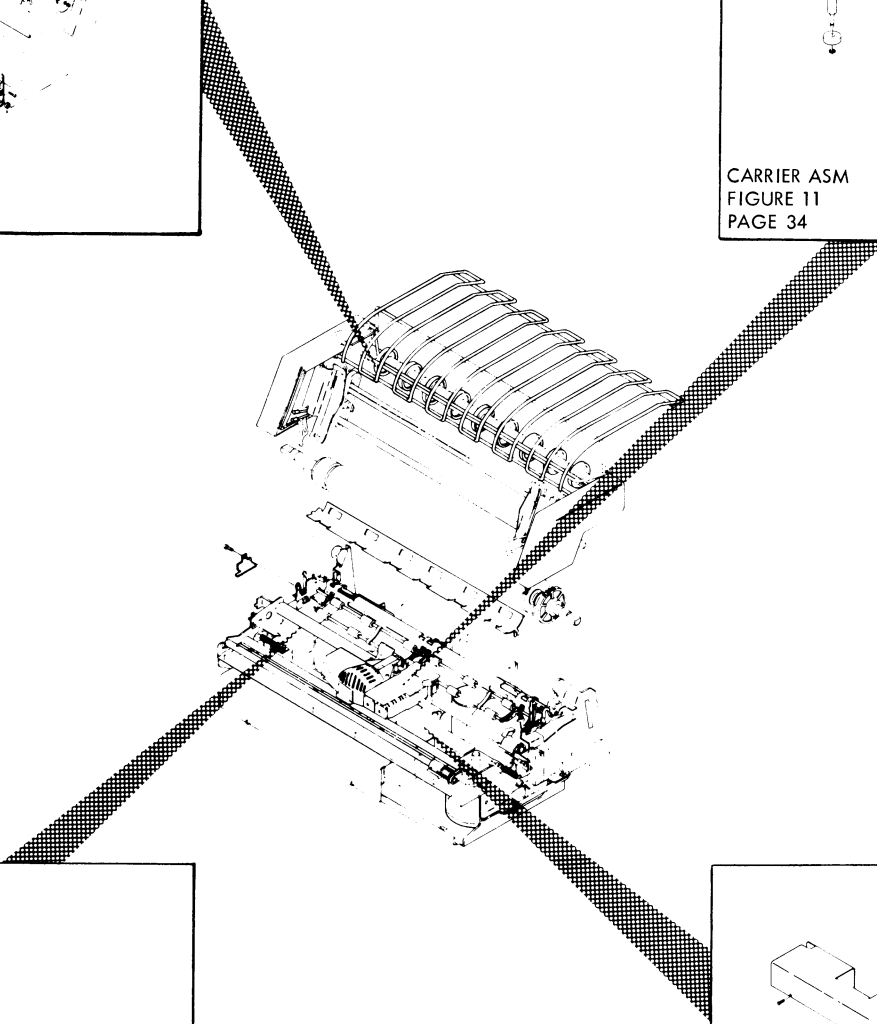
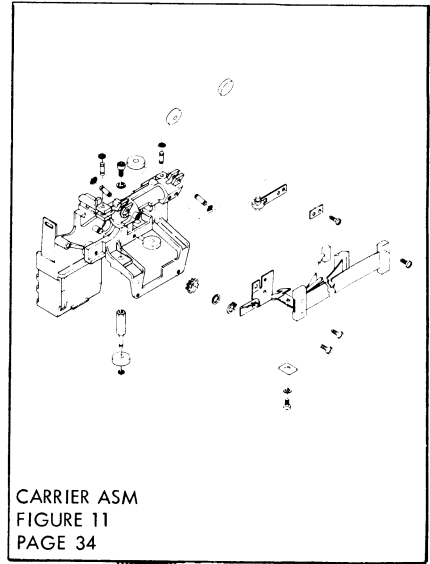
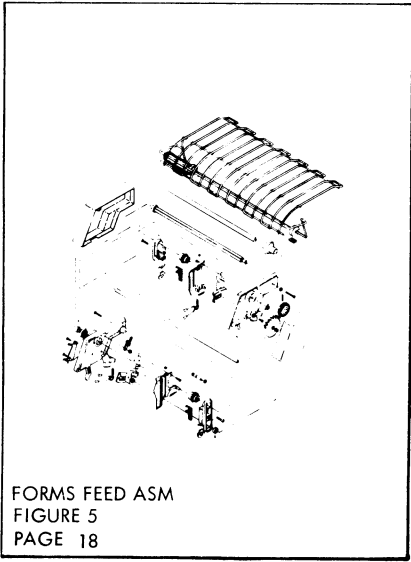
### EXAMPLE OF PARTS LIST

| FIGURE-<br>INDEX<br>NUMBER | PART<br>NUMBER | UNITS<br>PER<br>ASM. | 1 2 3 4 |  |  |  | DESCRIPTION                                                                            |
|----------------------------|----------------|----------------------|---------|--|--|--|----------------------------------------------------------------------------------------|
|                            |                |                      |         |  |  |  |                                                                                        |
| 37 -                       | 2448605        |                      |         |  |  |  | MOTOR ASM, DRIVE<br>FOR NEXT HIGHER ASM SEE LIST 27-44<br>AND FOR ILLUSTRATION FIG. 37 |
| - 1                        | 2204176        | 1                    |         |  |  |  | • PULLEY                                                                               |
| - 2                        | 79842          | AR                   |         |  |  |  | • SETSCREW, SPLINE DR CUP PT 8-32 X 3/8 LG                                             |
| - 3                        | 2204116        | 1                    |         |  |  |  | • MOTOR ASM, 220V AC 60 HZ                                                             |
| - 4                        | NO NO.         | 1                    |         |  |  |  | • MOTOR ASM, 220V AC 50 HZ                                                             |
| - 5                        | 2204082        | 1                    |         |  |  |  | • FERRULE, OUTER                                                                       |
| - 6                        | 2204033        | 1                    |         |  |  |  | • FERRULE, INNER                                                                       |
| - 7                        | 2199258        | 1                    |         |  |  |  | • MOTOR, DRIVE-220V 60/50 HZ                                                           |
| - 8                        | 2199401        | 1                    |         |  |  |  | • PLATE, MOTOR MT                                                                      |









## EC Identification Sheet

**EC 829579A** (affects housing on I/O Connectors)

- With EC — No brass inserts in housing mounting screw holes.
- Without EC — Brass inserts in housing mounting screw holes.

**EC 832641** (affects I/O Connector Mounting Screw) Prevents binding of screw

- With EC — Collar P/N 2451397 and roll pin P/N 255886 (Figure 1 Detail A Index No. 13C)
- Without EC — Clip P/N 1608419 (Figure 1 Detail A Index No. 13C)

**EC 386314** (affects 120 cps Print Head)

- With EC — 80 cps machine has 120 cps print head.
- Without EC — 80 cps machine has 80 cps print head.

**EC 579969** (affects External Covers)

- With EC — Plastic covers with power on switch located at right front of machine.
- Without EC — Metal covers with power on switch under platen knob.

**EC 579767** (affects Forms Emitter Adjustments)

- With EC — Brass plate (Figure 9, Index No. 9A) under forms emitter amplifier adjusting screws.
- Without EC — No brass plate (Figure 9, Index No. 9A).

**EC 579581** (affects EOF switch)

- With EC — Actuator lever for EOF Switch is located under platen.
- Without EC — Actuator lever for EOF Switch is located in back of platen.  
Ref: Figure 8

**EC 579607** (affects Forms Tractor Unit)

- With EC — Left tractor assembly is adjustable and side frames are black.
- Without EC — Side frames are not black.

**EC 579623** (affects Circuit Cards and Forms Feed Emitter)

- With EC — A1A1 card is P/N 5863340 and there is no forms amplifier card (Figure 9, Item 8) mounted on the forms feed emitter assembly.
- Without EC — A1A1 card is P/N 5863338 and the forms amplifier card is mounted on the forms feed emitter assembly.

**EC 579627** (affects Ribbon Release Knob)

- With EC — The ribbon release knob (Figure 10, Item 13) does not have a straight shaft.
- Without EC — The ribbon release knob (Figure 10, Item 13) has a straight shaft.

**EC 579779** (affects Fan Motor)

- With EC — Plate with holes for fan guard
- Without EC — Wire type fan guard  
Ref: Figure 7, Item 20

**EC 579977** (Grounding of Wire Forms Guide to Forms Tractor Unit)

- With EC — An S shaped spring bolted to the inside of the left side frame (side closest to the forms path) and attached to the front rod of the forms guide assembly.
- Without EC — No spring  
Ref: Figure 5, Item 50



.

.



.

.

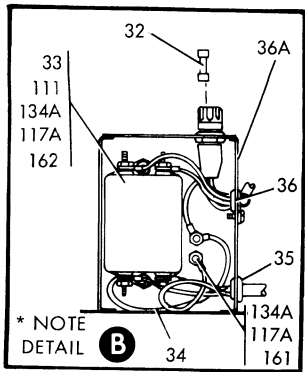
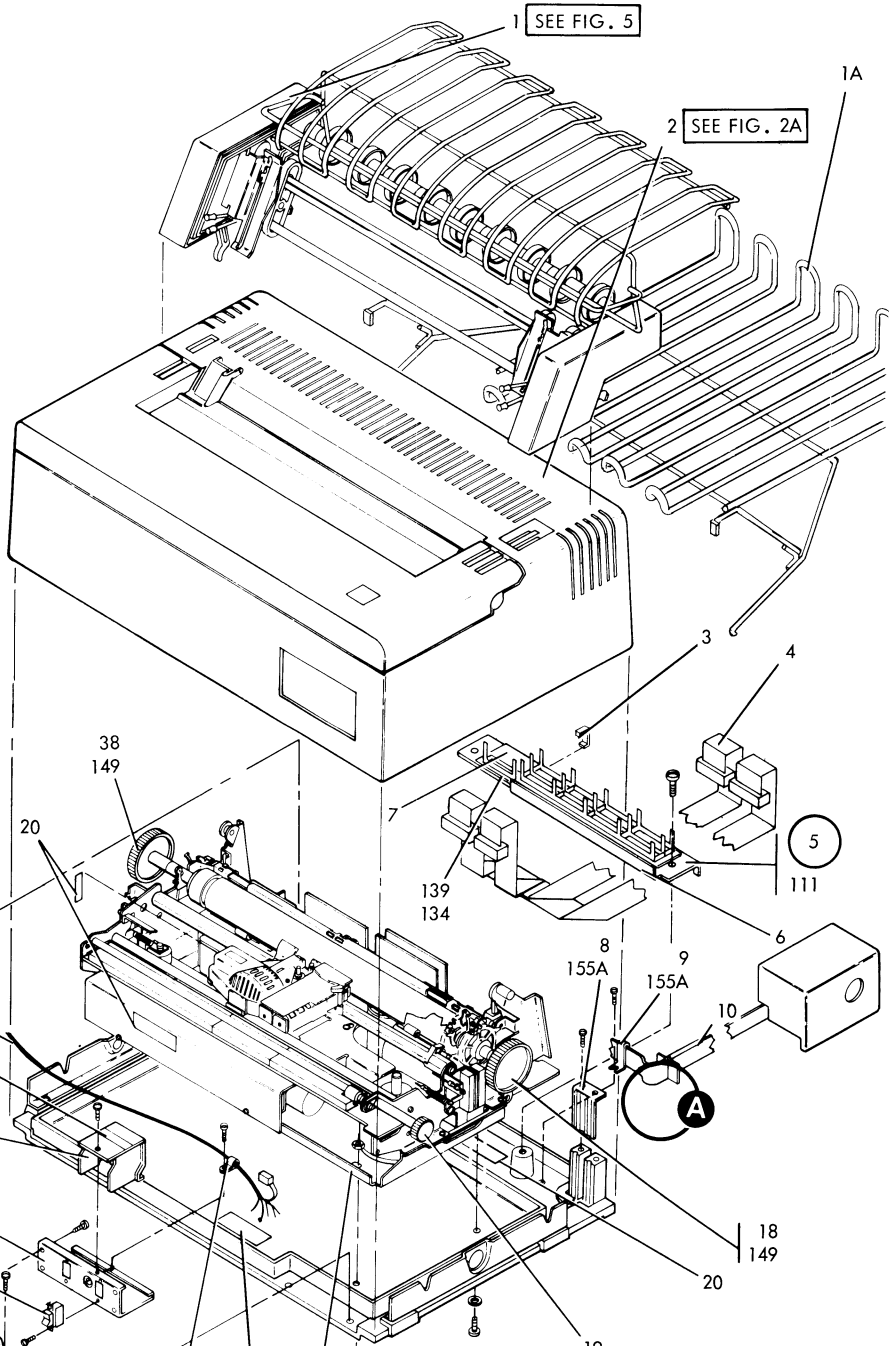
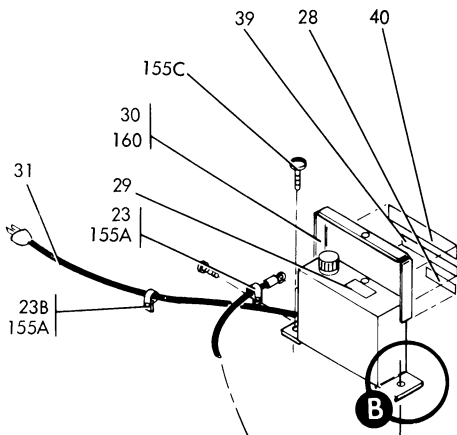


CATALOG SECTION

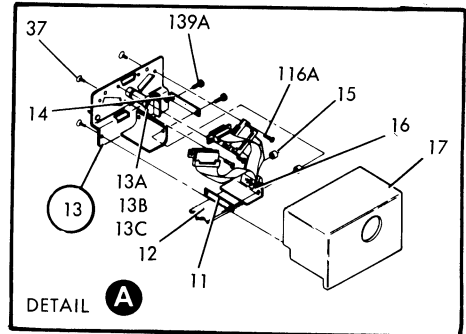




| LINE CORD CHART |                                                                                |
|-----------------|--------------------------------------------------------------------------------|
|                 | 1608239 U.S.A., BRAZIL, CANADA, JAPAN, MEXICO, VENEZUELA, COLUMBIA             |
|                 | 1608013 AUSTRIA, DENMARK, GERMANY, NETHERLANDS, SPAIN, SWEDEN, NORWAY, FINLAND |
|                 | 1608012 AUSTRALIA                                                              |
|                 | 1608011 UNITED KINGDOM                                                         |
|                 | 1608014 BELGIUM, FRANCE, ITALY                                                 |
|                 | 1608015 SWITZERLAND                                                            |



SEE FIG. 3



\* NOTE  
 DETAIL B ITEMS 111, 134A, 117  
 USED PRIOR TO EC 832615  
 ITEMS 161 AND 162 USED  
 AFTER EC 832615

FIGURE 1A. FINAL ASM, PRINTER, MOLDED COVERS. SEE LIST 1A.



| FIGURE-<br>INDEX<br>NUMBER | PART<br>NUMBER | UNITS<br>PER<br>ASM. | DESCRIPTION FOR FIGURE 1A                                                                          |   |   |   |
|----------------------------|----------------|----------------------|----------------------------------------------------------------------------------------------------|---|---|---|
|                            |                |                      | 1                                                                                                  | 2 | 3 | 4 |
| 1A                         | NO NO.         |                      | FINAL ASM,PRINTER-MOLDED COVERS<br>FOR ILLUSTRATION SEE FIG. 1A                                    |   |   |   |
| - 1                        | 1638831        | 1                    | • FORMS FEED ASM-MOD 1 & 2                                                                         |   |   |   |
| - 1                        | 4410797        | 1                    | • FORMS FEED ASM-MOD 11 & 12<br>FOR DETAIL BREAKDOWN SEE FIG. 5                                    |   |   |   |
| - 1A                       | 1608020        | 1                    | • STACKER                                                                                          |   |   |   |
| - 2                        | 1608231        | 1                    | • COVER ASM,PRINTER-MOLDED-MOD 1 & 2                                                               |   |   |   |
| - 2                        | 2451365        | 1                    | • COVER ASM,PRINTER-MOLDED-MOD 11 & 12<br>FOR DETAIL BREAKDOWN SEE FIG. 2A                         |   |   |   |
| - 3                        | 1608329        | 7                    | • CLIP                                                                                             |   |   |   |
| - 4                        | 1608242        | 1                    | • CABLE ASM                                                                                        |   |   |   |
| - 5                        | 1608240        | 1                    | • MAPLE BLOCK ASM-MOD 1 & 2                                                                        |   |   |   |
| - 5                        | 2451348        | 1                    | • MAPLE BLOCK ASM-MOD 11                                                                           |   |   |   |
| - 5                        | 2451361        | 1                    | • MAPLE BLOCK ASM-MOD 12                                                                           |   |   |   |
| - 6                        | 1608232        | 1                    | • BRACKET                                                                                          |   |   |   |
| - 7                        | 1608634        | 1                    | • BOARD ASM-MOD 1 & 2                                                                              |   |   |   |
| - 7                        | 2451347        | 1                    | • BOARD ASM-MOD 11                                                                                 |   |   |   |
| - 7                        | 2451359        | 1                    | • BOARD ASM-MOD 12                                                                                 |   |   |   |
| - 8                        | 1608228        | 1                    | • CLAMP                                                                                            |   |   |   |
| - 9                        | 1608550        | 1                    | • CLAMP                                                                                            |   |   |   |
| - 10                       | 1608241        | 1                    | • CABLE ASM-MOD 1 & 2                                                                              |   |   |   |
| - 10                       | 2451366        | 1                    | • CABLE ASM-MOD 11 & 12                                                                            |   |   |   |
| - 11                       | 1608408        | 1                    | • NUT PLATE                                                                                        |   |   |   |
| - 12                       | 1608234        | 1                    | • CABLE ASM-MOD 1 & 2                                                                              |   |   |   |
| - 12                       | 2451367        | 1                    | • CABLE ASM-MOD 11 & 12                                                                            |   |   |   |
| - 13                       | 1608420        | 1                    | • BRACKET-MOD 1 & 2                                                                                |   |   |   |
| - 13                       | 4836378        | 1                    | • BRACKET-MOD 11 & 12                                                                              |   |   |   |
| - 13A                      | 1608403 NR     | 1                    | • BRACKET                                                                                          |   |   |   |
| - 13B                      | 1608412 NR     | 1                    | • SCREW-MOD 1 & 2                                                                                  |   |   |   |
| - 13B                      | 4836379 NR     | 1                    | • STUD ASM-MOD 11 & 12                                                                             |   |   |   |
| - 13C                      | 1608419 NR     | 1                    | • RING,RETAINING-MOD 1&2<br>USED ON MACHINES W/O EC 823641                                         |   |   |   |
| - 13C                      | 2451397 NR     | 1                    | • COLLAR-ALL MODELS AFTER EC 832641<br>USED ON MACHINES WITH EC 823641                             |   |   |   |
| - 14                       | 1608409        | 1                    | • BAR                                                                                              |   |   |   |
| - 15                       | 815219         | 2                    | • SPACER                                                                                           |   |   |   |
| - 16                       | 1608407        | 1                    | • BRACKET,ANGLE                                                                                    |   |   |   |
| - 17                       | 2451314        | 1                    | • HOUSING-MOD 1 & 2                                                                                |   |   |   |
| - 17                       | 2451121        | 1                    | • USED ON MACHINES WITHOUT EC 829579A<br>• HOUSING-MOD 1 & 2<br>• USED ON MACHINES WITH EC 829579A |   |   |   |
| - 17                       | 4836376        | 1                    | • HOUSING-MOD 11 & 12                                                                              |   |   |   |
| - 18                       | 843421         | 1                    | • KNOB-MOD 1 & 2                                                                                   |   |   |   |
| - 18                       | 4410799        | 1                    | • KNOB-MOD 11 & 12                                                                                 |   |   |   |
| - 19                       | 1608238        | 1                    | • KNOB ASM,EMITTER-MOD 1 & 2                                                                       |   |   |   |
| - 19                       | 2451388        | 1                    | • KNOB ASM,EMITTER-MOD 11 & 12                                                                     |   |   |   |
| - 20                       | 1608478        | 2                    | • LABEL                                                                                            |   |   |   |
| - 21                       | 1638898 NP     | 1                    | • PRINTER ASM-MOD 2 & 12                                                                           |   |   |   |
| - 21                       | 843100 NP      | 1                    | • PRINTER ASM-MOD 1 & 11<br>FOR DETAIL BREAKDOWN SEE FIG. 3                                        |   |   |   |
| - 22                       | 1608233        | 1                    | • CABLE ASM                                                                                        |   |   |   |
| - 23                       | 2102364        | 1                    | • CLAMP                                                                                            |   |   |   |
| - 23A                      | 357433         | 1                    | • CLAMP                                                                                            |   |   |   |
| - 23B                      | 2102365        | 1                    | • CLAMP                                                                                            |   |   |   |
| - 24                       | 1608223        | 1                    | • COVER                                                                                            |   |   |   |
| - 25                       | 1608224        | 1                    | • BRACKET                                                                                          |   |   |   |
| - 26                       | 1608547        | 1                    | • SWITCH                                                                                           |   |   |   |
| - 27                       | 1608217        | 1                    | • PANEL ASM,ENGLISH-MOD 1 & 2                                                                      |   |   |   |
| - 27                       | 1608201        | 1                    | • PANEL ASM,GERMANY-MOD 1 & 2                                                                      |   |   |   |
| - 27                       | 1608202        | 1                    | • PANEL ASM,SPAIN-MOD 1 & 2                                                                        |   |   |   |
| - 27                       | 1608203        | 1                    | • PANEL ASM,ITALY-MOD 1 & 2                                                                        |   |   |   |
| - 27                       | 1608205        | 1                    | • PANEL ASM,FRANCE-MOD 1 & 2                                                                       |   |   |   |
| - 27                       | 2451363        | 1                    | • PANEL ASM-MOD 11 & 12                                                                            |   |   |   |
| - 28                       | 138755         | 2                    | • LABEL                                                                                            |   |   |   |
| - 29                       | 843268         | 1                    | • LABEL,100/110V                                                                                   |   |   |   |
| - 29                       | 843294         | 1                    | • LABEL,220/235V                                                                                   |   |   |   |
| - 30                       | 1608226        | 1                    | • COVER                                                                                            |   |   |   |
| - 31                       |                |                      | SEE LINE CORD CHART                                                                                |   |   |   |
| - 32                       | 615683         | 1                    | • FUSE,100/110V                                                                                    |   |   |   |
| - 32                       | 303549         | 1                    | • FUSE,220/235V                                                                                    |   |   |   |
| - 33                       | 1860276        | 1                    | • FILTER                                                                                           |   |   |   |
| - 34                       | 2152919        | 1                    | • JUMPER                                                                                           |   |   |   |
| - 35                       | 107611         | 1                    | • STRAIN RELIEF                                                                                    |   |   |   |
| - 36                       | 214968         | 1                    | • GROMMET                                                                                          |   |   |   |
| - 36A                      | 1608225        | 1                    | • HOUSING,FILTER                                                                                   |   |   |   |
| - 37                       | 38842          | 4                    | • SCREW,MACH-FLAT HD 6-32 X 1/4 LG<br>USED WITH HOUSING 1608414                                    |   |   |   |
| - 37                       | 2451223        | 4                    | • SCREW,THD FORM FLAT HD 6-19 X 3/8 LG<br>USED WITH HOUSING 2451121 & 4836376                      |   |   |   |
| - 38                       | 1638905        | 1                    | • KNOB ASM-MOD 1 & 2                                                                               |   |   |   |



THIS PAGE INTENTIONALLY LEFT BLANK

FOR PARTS  
NOT SHOWN  
SEE FIG. 1

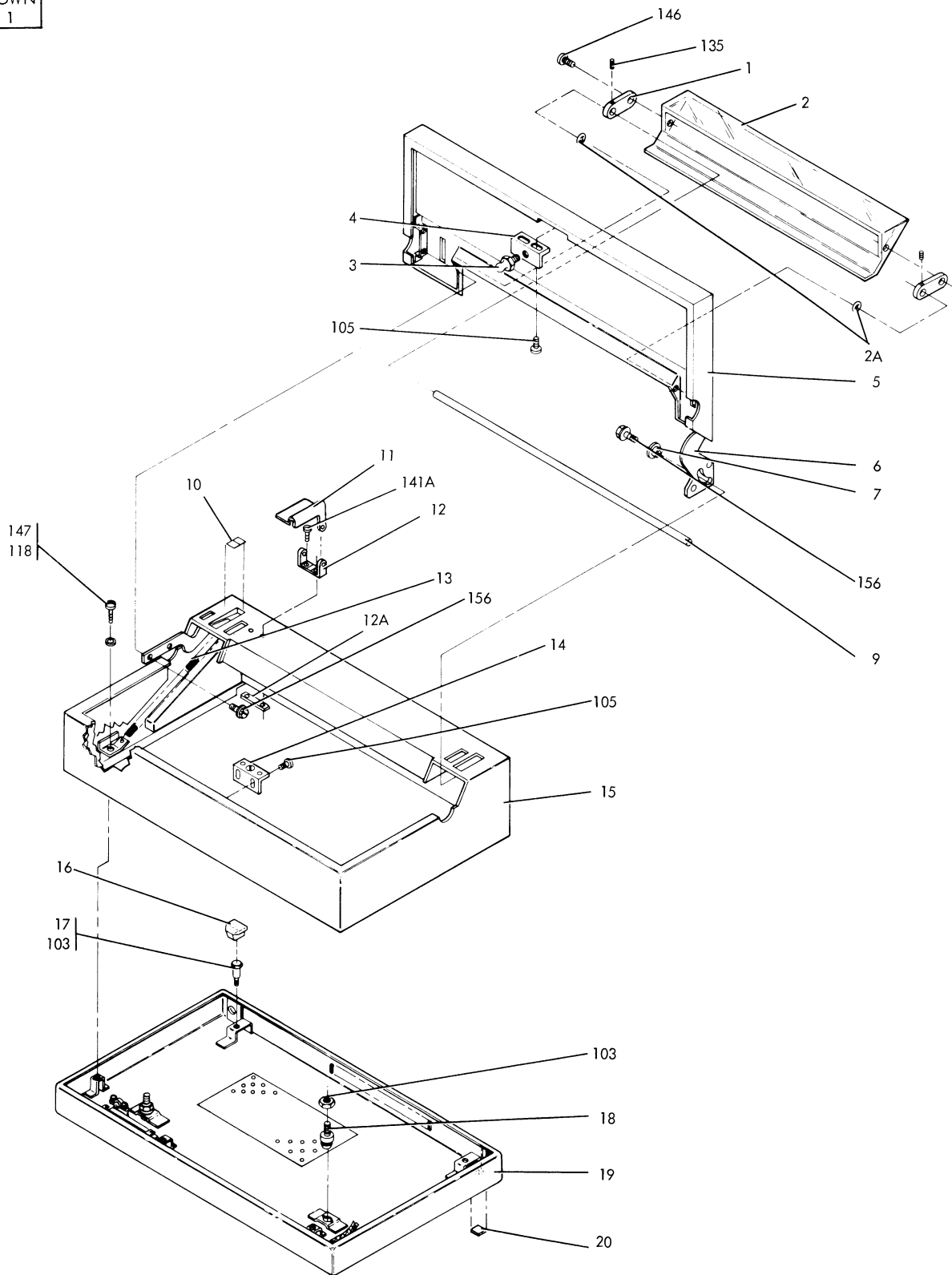


FIGURE 2. COVERS AND BASE ASM, METAL. SEE LIST 2.



FOR PARTS  
NOT SHOWN  
SEE FIG. 1A

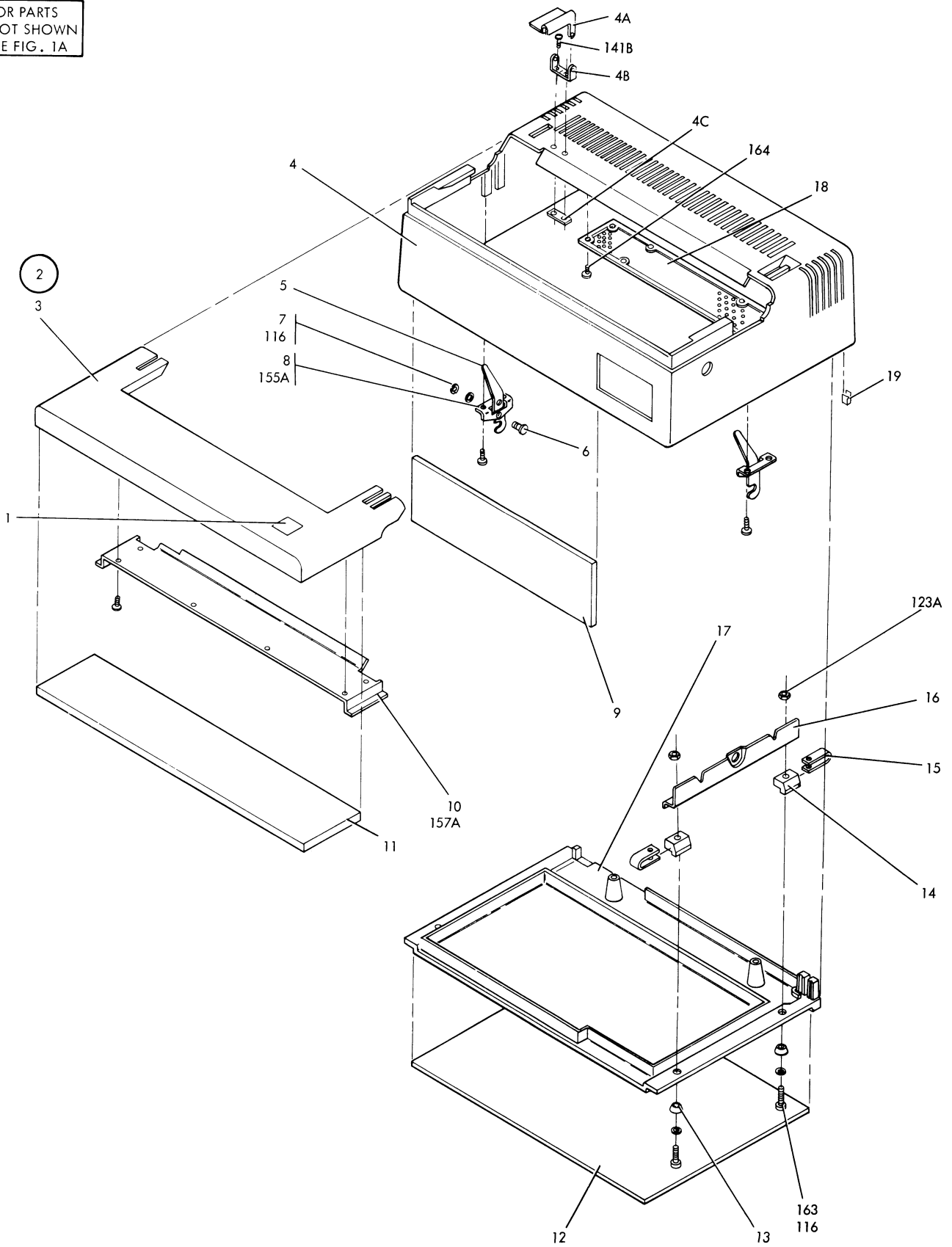


FIGURE 2A. COVER ASM, PRINTER, MOLDED. SEE LIST 2A.



FOR PARTS  
NOT SHOWN  
SEE FIG. 1

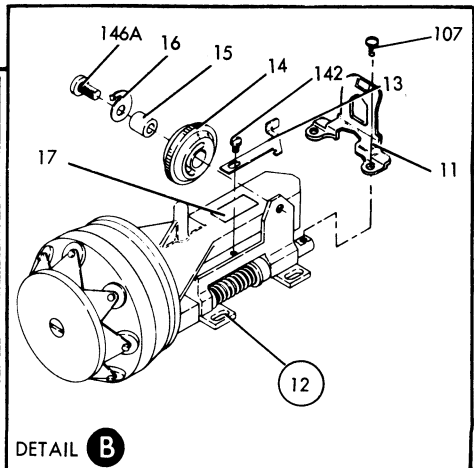
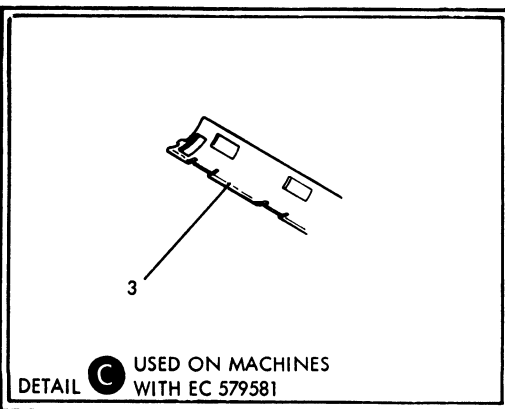
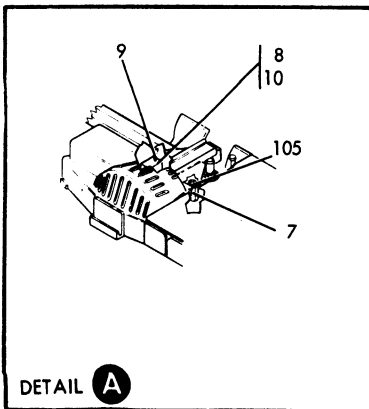
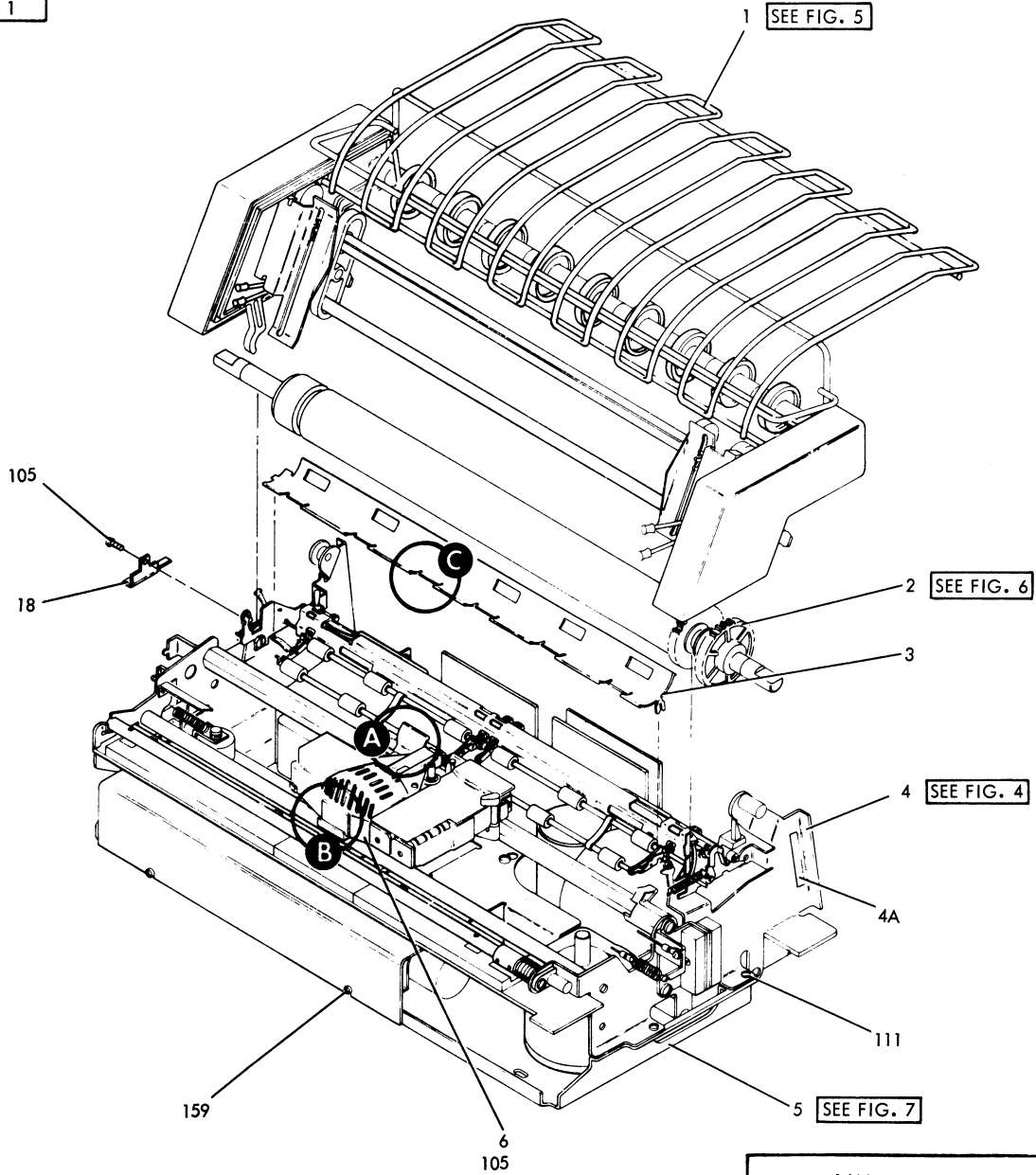


FIGURE 3. PRINTER ASM. SEE LIST 3.





FOR PARTS  
NOT SHOWN  
SEE FIG. 3

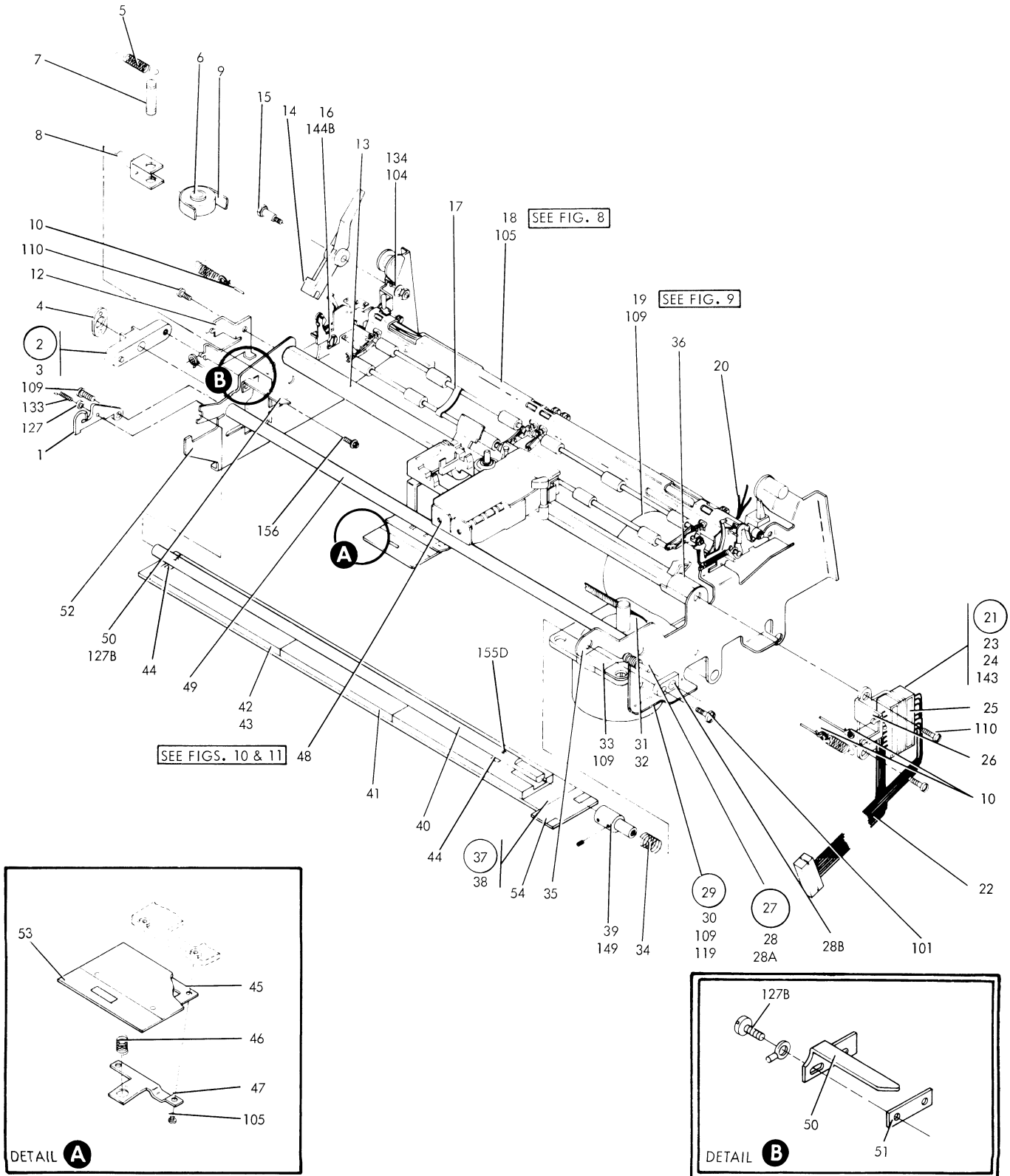


FIGURE 4. FRAME ASM. SEE LIST 4.

| FIGURE-<br>INDEX<br>NUMBER | PART<br>NUMBER    | UNITS<br>PER<br>ASM. | DESCRIPTION FOR FIGURE 4                                                                                                              |   |   |   |
|----------------------------|-------------------|----------------------|---------------------------------------------------------------------------------------------------------------------------------------|---|---|---|
|                            |                   |                      | 1                                                                                                                                     | 2 | 3 | 4 |
| 4                          | 843160<br>1638713 |                      | FRAME ASM,80 CPS-MOD 1 & 11<br>FRAME ASM,120 CPS-MOD 2 & 12<br>FOR NEXT HIGHER ASM SEE LIST 3-4<br>AND FOR ILLUSTRATION FIG. 4        |   |   |   |
| - 1                        | 843389            | 1                    | • BRACKET                                                                                                                             |   |   |   |
| - 2                        | 1638766           | 1                    | • BELT TENSIONER ASM                                                                                                                  |   |   |   |
| - 3                        | 843359 NR         | 1                    | • • BUSHING                                                                                                                           |   |   |   |
| - 4                        | 843357 NR         | 1                    | • • PLATE,SPRING HOOK                                                                                                                 |   |   |   |
| - 5                        | 843360 NR         | 1                    | • • SPRING,BELT TAKE-UP                                                                                                               |   |   |   |
| - 6                        | 843146 NR         | 1                    | • • PULLEY ASM                                                                                                                        |   |   |   |
| - 7                        | 843356 NR         | 1                    | • • SHAFT                                                                                                                             |   |   |   |
| - 8                        | 1638775 NR        | 1                    | • • YOKE ASM                                                                                                                          |   |   |   |
| - 9                        | 843153 NR         | 1                    | • • BELT                                                                                                                              |   |   |   |
| - 10                       | 1638837           | 2                    | • LINE ASM                                                                                                                            |   |   |   |
| - 12                       | 843352            | 1                    | • BRACKET,RIBBON DRIVE LINE                                                                                                           |   |   |   |
| - 13                       | 843173            | 1                    | • SHAFT                                                                                                                               |   |   |   |
| - 14                       | 843316            | 1                    | • LEVER,MAIN SWITCH-MOD 1 ONLY                                                                                                        |   |   |   |
| - 15                       | 843317            | 1                    | • STUD-MOD 1 ONLY                                                                                                                     |   |   |   |
| - 16                       | 843344            | 2                    | • SCREW,SHOULDER                                                                                                                      |   |   |   |
| - 17                       | 843123            | 2                    | • SPRING                                                                                                                              |   |   |   |
| - 18                       | 843240            | 1                    | FOR DETAIL BREAKDOWN SEE FIG. 8<br>• A-FRAME ASM                                                                                      |   |   |   |
| - 19                       | 1638714           | 1                    | • EMITTER ASM,FORMS FEED                                                                                                              |   |   |   |
| - 20                       | 843264            | 1                    | FOR DETAIL BREAKDOWN SEE FIG. 9<br>• CABLE ASM,FORMS EMITTER<br>USED ON MACHINES WITH FORMS EMITTER<br>PC BOARD AND WITHOUT EC 579623 |   |   |   |
| - 21                       | 843573            | 1                    | • TAPER PIN CONNECTOR ASM<br>USED ON MACHINES WITH FORMS EMITTER<br>PC BOARD AND WITHOUT EC 579623                                    |   |   |   |
| - 21                       | 1638758           | 1                    | • TAPER PIN CONNECTOR ASM<br>USED ON MACHINES W/O FORMS EMITTER<br>PC BOARD AND WITH EC 579623                                        |   |   |   |
| - 22                       | 843263            | 1                    | • • CABLE ASM,MACHINE<br>USED ON MACHINES WITH FORMS EMITTER<br>PC BOARD AND WITHOUT EC 579623                                        |   |   |   |
| - 22                       | 1638782           | 1                    | • • CABLE ASM,MACHINE<br>USED ON MACHINES W/O FORMS EMITTER<br>PC BOARD AND WITH EC 579623                                            |   |   |   |
| - 23                       | 302090            | 2                    | • • TAPER PIN BLOCK                                                                                                                   |   |   |   |
| - 24                       | 302131            | 2                    | • • INSULATOR                                                                                                                         |   |   |   |
| - 25                       | 843569            | 1                    | • • LABEL                                                                                                                             |   |   |   |
| - 26                       | 843233            | 1                    | • • BRACKET,TAPER PIN CONNECTOR                                                                                                       |   |   |   |
| - 27                       | 843195            | 1                    | • STUD,HORIZ FINE ADJUST                                                                                                              |   |   |   |
| - 27                       | 1638778           | 1                    | USED ON MACHINES WITHOUT ADJUSTABLE<br>RETRACT RAMP AND WITHOUT EC 579623<br>• STUD ASM                                               |   |   |   |
| - 28                       | 1638743           | 1                    | USED ON MACHINES WITH ADJUSTABLE<br>RETRACT RAMP AND WITH EC 579623<br>• • STUD,USED ON MACHINES WITH ADJUSTABLE                      |   |   |   |
| - 28A                      | 1092125           | 1                    | • • RETAINER,USED ON MACHS WITH ADJUSTABLE<br>RETRACT RAMP AND WITH EC 579623                                                         |   |   |   |
| - 28B                      | 843194            | 1                    | • • NUT PLATE                                                                                                                         |   |   |   |
| - 29                       | 843164            | 1                    | • MOTOR/PULLEY ASM                                                                                                                    |   |   |   |
| - 30                       | 2526734 NR        | 1                    | • • MOTOR                                                                                                                             |   |   |   |
| - 31                       | 843151 NR         | 1                    | • • PULLEY                                                                                                                            |   |   |   |
| - 32                       | 1077815 NR        | 1                    | • • PIN,ROLL                                                                                                                          |   |   |   |
| - 33                       | 843174            | 1                    | • • BRACKET                                                                                                                           |   |   |   |
| - 34                       | 843211            | 1                    | • SPRING                                                                                                                              |   |   |   |
| - 35                       | 843236            | 1                    | • BRACKET,RH-USED ON MACHS W/O ADJUSTABLE<br>RETRACT RAMP AND WITHOUT EC 579623                                                       |   |   |   |
| - 35                       | 1638725           | 1                    | • BRACKET,RH-USED ON MACHS WITH ADJUSTABLE<br>RETRACT RAMP AND WITH EC 579623                                                         |   |   |   |
| - 36                       | 1638712           | 1                    | • STOP                                                                                                                                |   |   |   |
| - 37                       | 1638711           | 1                    | • EMITTER ASM                                                                                                                         |   |   |   |
| - 38                       | 1638796 NR        | 1                    | • • BOARD ASM                                                                                                                         |   |   |   |
| - 39                       | 843584            | 1                    | • • SLIDE                                                                                                                             |   |   |   |
| - 40                       | 1638797           | 1                    | • • ROD                                                                                                                               |   |   |   |
| - 41                       | 1638991           | 1                    | • • LABEL                                                                                                                             |   |   |   |
| - 42                       | 1638710 NR        | 1                    | • • BAR                                                                                                                               |   |   |   |
| - 43                       | 1638755 NR        | 1                    | • • FILM                                                                                                                              |   |   |   |
| - 44                       | 1638742           | 2                    | • • BRACKET,GROUND                                                                                                                    |   |   |   |
| - 45                       | 843202            | 1                    | • PICK-UP SLIDER ASM                                                                                                                  |   |   |   |
| - 46                       | 843182            | 1                    | • SPRING                                                                                                                              |   |   |   |
| - 47                       | 843337            | 1                    | • CLAMP                                                                                                                               |   |   |   |
| - 48                       | 843170            | 1                    | • CARRIER ASM,80 CPS<br>USED ON MACHINES WITH ADJUSTABLE<br>RIBBON BOX SLOT AND WITHOUT<br>EC 579627                                  |   |   |   |
| - 48                       | 843444            | 1                    | • CARRIER ASM,80 CPS                                                                                                                  |   |   |   |



THIS PAGE INTENTIONALLY LEFT BLANK.

FOR PARTS  
NOT SHOWN  
SEE FIG. 3

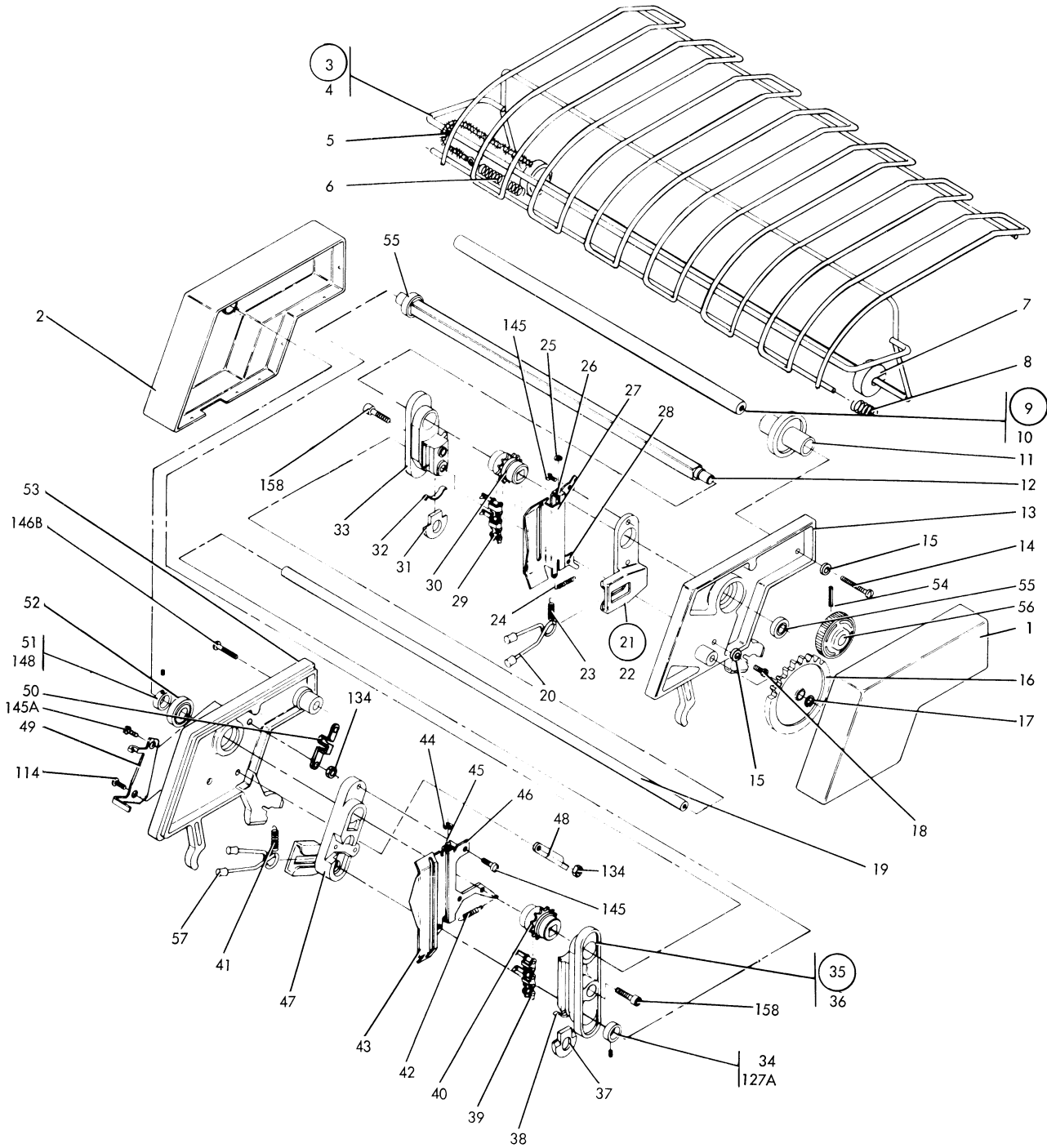


FIGURE 5. FORMS FEED ASM. SEE LIST 5.

| FIGURE-<br>INDEX<br>NUMBER | PART<br>NUMBER     | UNITS<br>PER<br>ASM. | DESCRIPTION FOR FIGURE 5                                                                                                 |   |   |   |
|----------------------------|--------------------|----------------------|--------------------------------------------------------------------------------------------------------------------------|---|---|---|
|                            |                    |                      | 1                                                                                                                        | 2 | 3 | 4 |
| 5                          | 1638831<br>4410797 |                      | FORMS FEED ASM-MOD 1 & 2<br>FORMS FEED ASM-MOD 11 & 12<br>FOR NEXT HIGHER ASM SEE LIST 1A-1<br>AND 3-1 AND FOR ILL FIG 5 |   |   |   |
| - 1                        | 1638836            | 1                    | • COVER,RH-MOD 1 & 2                                                                                                     |   |   |   |
| - 1                        | 843139             | 1                    | • COVER,RH-MOD 11 & 12                                                                                                   |   |   |   |
| - 2                        | 1638835            | 1                    | • COVER,LH-MOD 1 & 2                                                                                                     |   |   |   |
| - 2                        | 843138             | 1                    | • COVER,LH-MOD 11 & 12                                                                                                   |   |   |   |
| - 3                        | 843575             | 1                    | • GUIDE ASM,FORMS                                                                                                        |   |   |   |
| - 4                        | 843313             | 1                    | • GUIDE                                                                                                                  |   |   |   |
| - 5                        | 843574             | 1                    | • ELIMINATOR                                                                                                             |   |   |   |
| - 6                        | 843576             | 1                    | • SPRING                                                                                                                 |   |   |   |
| - 7                        | 1638841            | 2                    | • GUIDE,PAPER                                                                                                            |   |   |   |
| - 8                        | 1638838            | 1                    | • SPRING                                                                                                                 |   |   |   |
| - 9                        | 1638819            | 1                    | • FEED ASM,FORMS TRACTOR UNIT                                                                                            |   |   |   |
| - 10                       | 843281 NR          | 1                    | • SHAFT                                                                                                                  |   |   |   |
| - 11                       | 843282 NR          | 9                    | • ROLLER                                                                                                                 |   |   |   |
| - 12                       | 843204 NR          | 1                    | • SHAFT AND GEAR ASM                                                                                                     |   |   |   |
| - 13                       | 843145 NR          | 1                    | • FRAME,RH<br>USED ON MACHINES WITH ROUND HANDLE<br>LOCK SPRING AND WITHOUT EC 579607                                    |   |   |   |
| - 13                       | 1638821 NR         | 1                    | • FRAME,RH<br>USED ON MACHINES WITH SQUARE HANDLE<br>LOCK SPRING AND WITH EC 579607                                      |   |   |   |
| - 14                       | 843278             | 1                    | • SCREW<br>USED ON MACHINES WITH ROUND HANDLE<br>LOCK SPRING AND WITHOUT EC 579607                                       |   |   |   |
| - 14                       | 1638815            | 1                    | • SCREW,SPECIAL SHLDR 10-32 X 1 LG<br>USED ON MACHINES WITH SQUARE HANDLE<br>LOCK SPRING AND WITH EC 579607              |   |   |   |
| - 15                       | 638875             | 2                    | • WASHER,SPRING<br>USED ON MACHINES WITH SQUARE HANDLE<br>LOCK SPRING AND WITH EC 579607                                 |   |   |   |
| - 16                       | 843283             | 1                    | • GEAR                                                                                                                   |   |   |   |
| - 17                       | 311072             | 1                    | • CLIP,RETAINING                                                                                                         |   |   |   |
| - 18                       | 1638816            | 1                    | • SCREW,SPECIAL SHLDR 8-32 X 3/8 LG<br>USED ON MACHINES WITH ROUND HANDLE<br>LOCK SPRING AND WITH EC 579607              |   |   |   |
| - 18                       | 843277             | 1                    | • SCREW<br>USED ON MACHINES WITH SQUARE HANDLE<br>LOCK SPRING AND WITHOUT EC 579607                                      |   |   |   |
| - 19                       | 1638802 NR         | 1                    | • SHAFT                                                                                                                  |   |   |   |
| - 20                       | 843206 NR          | 2                    | • LOCK SPRING ASM                                                                                                        |   |   |   |
| - 21                       | 843205 NR          | 1                    | • TRACTOR ASM,RH<br>USED ON MACHINES WITH ROUND HANDLE<br>LOCK SPRING AND WITHOUT EC 579607                              |   |   |   |
| - 21                       | 1638823 NR         | 1                    | • TRACTOR ASM,RH<br>USED ON MACHINES WITH SQUARE HANDLE<br>LOCK SPRING AND WITH EC 579607                                |   |   |   |
| - 22                       | 843291 NR          | 1                    | • CARRIER ASM<br>USED ON MACHINES WITH ROUND HANDLE<br>LOCK SPRING AND WITHOUT EC 579607                                 |   |   |   |
| - 22                       | 1638825 NR         | 1                    | • CARRIER ASM<br>USED ON MACHINES WITH SQUARE HANDLE<br>LOCK SPRING AND WITH EC 579607                                   |   |   |   |
| - 23                       | 1164080            | 1                    | • SPRING<br>USED ON MACHINES WITH SQUARE HANDLE<br>LOCK SPRING AND WITH EC 579607                                        |   |   |   |
| - 24                       | 843289             | 1                    | • SPRING<br>USED ON MACHINES WITH ROUND HANDLE<br>LOCK SPRING AND WITHOUT EC 579607                                      |   |   |   |
| - 24                       | 1638833            | 1                    | • SPRING<br>USED ON MACHINES WITH SQUARE HANDLE<br>LOCK SPRING AND WITH EC 579607                                        |   |   |   |
| - 25                       | 219633             | 1                    | • RING,RETAINING                                                                                                         |   |   |   |
| - 26                       | 843272             | 1                    | • PIN,HINGE                                                                                                              |   |   |   |
| - 27                       | 843292             | 1                    | • PLATE,PRESSURE<br>USED ON MACHINES WITH ROUND HANDLE<br>LOCK SPRING AND WITHOUT EC 579607                              |   |   |   |
| - 27                       | 1638832            | 1                    | • PLATE,PRESSURE<br>USED ON MACHINES WITH SQUARE HANDLE<br>LOCK SPRING AND WITH EC 579607                                |   |   |   |
| - 28                       | 843288 NR          | 1                    | • PLATE,HINGE                                                                                                            |   |   |   |
| - 29                       | 843274 NR          | 1                    | • CHAIN ASM<br>USED ON MACHINES WITH ROUND HANDLE<br>LOCK SPRING AND WITHOUT EC 579607                                   |   |   |   |
| - 29                       | 1638834 NR         | 1                    | • CHAIN ASM<br>USED ON MACHINES WITH SQUARE HANDLE<br>LOCK SPRING AND WITH EC 579607                                     |   |   |   |
| - 30                       | 843285 NR          | 1                    | • SPROCKET                                                                                                               |   |   |   |

| FIGURE-<br>INDEX<br>NUMBER | PART<br>NUMBER | UNITS<br>PER<br>ASM. | DESCRIPTION FOR FIGURE 5 |   |   |                                                                                           |
|----------------------------|----------------|----------------------|--------------------------|---|---|-------------------------------------------------------------------------------------------|
|                            |                |                      | 1                        | 2 | 3 | 4                                                                                         |
| 5 - 31                     | 843270 NR      | 1                    | .                        | . | . | TENSIONER<br>USED ON MACHINES WITH ROUND HANDLE<br>LOCK SPRING AND WITHOUT EC 579607      |
| - 31                       | 1638829 NR     | 1                    | .                        | . | . | TENSIONER<br>USED ON MACHINES WITH SQUARE HANDLE<br>LOCK SPRING AND WITH EC 579607        |
| - 32                       | 843273 NR      | 1                    | .                        | . | . | SPRING                                                                                    |
| - 33                       | 843290 NR      | 1                    | .                        | . | . | GUIDE,CHAIN<br>USED ON MACHINES WITH ROUND HANDLE<br>LOCK SPRING AND WITHOUT EC 579607    |
| - 33                       | 1638827 NR     | 1                    | .                        | . | . | GUIDE,CHAIN<br>USED ON MACHINES WITH SQUARE HANDLE<br>LOCK SPRING AND WITH EC 579607      |
| - 34                       | 313694 NR      | 1                    | .                        | . | . | COLLAR                                                                                    |
| - 35                       | 1638806 NR     | 1                    | .                        | . | . | TRACTOR ASM,RH<br>USED ON MACHINES WITH ROUND HANDLE<br>LOCK SPRING AND WITHOUT EC 579607 |
| - 35                       | 1638822 NR     | 1                    | .                        | . | . | TRACTOR ASM,LH<br>USED ON MACHINES WITH SQUARE HANDLE<br>LOCK SPRING AND WITH EC 579607   |
| - 36                       | 843137 NR      | 1                    | .                        | . | . | GUIDE,CHAIN                                                                               |
| - 36                       | 1638826 NR     | 1                    | .                        | . | . | GUIDE,CHAIN<br>USED ON MACHINES WITH ROUND HANDLE<br>LOCK SPRING AND WITHOUT EC 579607    |
| - 37                       | 843270 NR      | 1                    | .                        | . | . | TENSIONER<br>USED ON MACHINES WITH SQUARE HANDLE<br>LOCK SPRING AND WITH EC 579607        |
| - 37                       | 1638828 NR     | 1                    | .                        | . | . | TENSIONER<br>USED ON MACHINES WITH ROUND HANDLE<br>LOCK SPRING AND WITHOUT EC 579607      |
| - 38                       | 843273 NR      | 1                    | .                        | . | . | SPRING                                                                                    |
| - 39                       | 843276 NR      | 1                    | .                        | . | . | CHAIN ASM                                                                                 |
| - 40                       | 843285 NR      | 1                    | .                        | . | . | SPROCKET                                                                                  |
| - 41                       | 1164080        | 1                    | .                        | . | . | SPRING                                                                                    |
| - 42                       | 843287         | 1                    | .                        | . | . | SPRING                                                                                    |
| - 43                       | 843293         | 1                    | .                        | . | . | PLATE,PRESSURE                                                                            |
| - 44                       | 219633         | 1                    | .                        | . | . | RING,RETAINING                                                                            |
| - 45                       | 843275         | 1                    | .                        | . | . | PIN,HJNGE                                                                                 |
| - 46                       | 843286 NR      | 1                    | .                        | . | . | PLATE,HINGE                                                                               |
| - 47                       | 1638824 NR     | 1                    | .                        | . | . | CARRIER                                                                                   |
| - 48                       | 1638804        | 1                    | .                        | . | . | STRAP<br>USED ON MACHINES WITH ROUND HANDLE<br>LOCK SPRING AND WITHOUT EC 579607          |
| - 49                       | 1638805        | 1                    | .                        | . | . | STRAP<br>USED ON MACHINES WITHOUT SPRING RACK<br>GROUND,WITHOUT EC 579977                 |
| - 49                       | 1638988        | 1                    | .                        | . | . | STRAP,USED ON MACHINES WITH SPRING<br>RACK GROUND,WITH EC 579977                          |
| - 50                       | 2594621        | 1                    | .                        | . | . | SPRING,RACK GROUND<br>USED ON MACHINES WITH EC 579977                                     |
| - 51                       | 327686         | 1                    | .                        | . | . | COLLAR                                                                                    |
| - 52                       | 156364 NR      | 1                    | .                        | . | . | BEARING                                                                                   |
| - 53                       | 1638820 NR     | 1                    | .                        | . | . | FRAME,LH                                                                                  |
| - 54                       | 1128526 NR     | 1                    | .                        | . | . | PIN,ROLL                                                                                  |
| - 55                       | 156364         | 2                    | .                        | . | . | BEARING                                                                                   |
| - 56                       | 843207 NR      | 1                    | .                        | . | . | GEAR                                                                                      |
| - 57                       | 843271         | 2                    | .                        | . | . | TAB,LOCKSPRING ASM                                                                        |
|                            |                |                      |                          |   |   | FOR ATTACHING PARTS, INDEX NOS. 100<br>AND ABOVE, SEE LIST 13                             |
|                            |                |                      |                          |   |   |                                                                                           |
|                            |                |                      |                          |   |   |                                                                                           |
|                            |                |                      |                          |   |   |                                                                                           |
|                            |                |                      |                          |   |   |                                                                                           |
|                            |                |                      |                          |   |   |                                                                                           |
|                            |                |                      |                          |   |   |                                                                                           |
|                            |                |                      |                          |   |   |                                                                                           |
|                            |                |                      |                          |   |   |                                                                                           |



THIS PAGE INTENTIONALLY LEFT BLANK.

FOR PARTS  
NOT SHOWN  
SEE FIG. 3

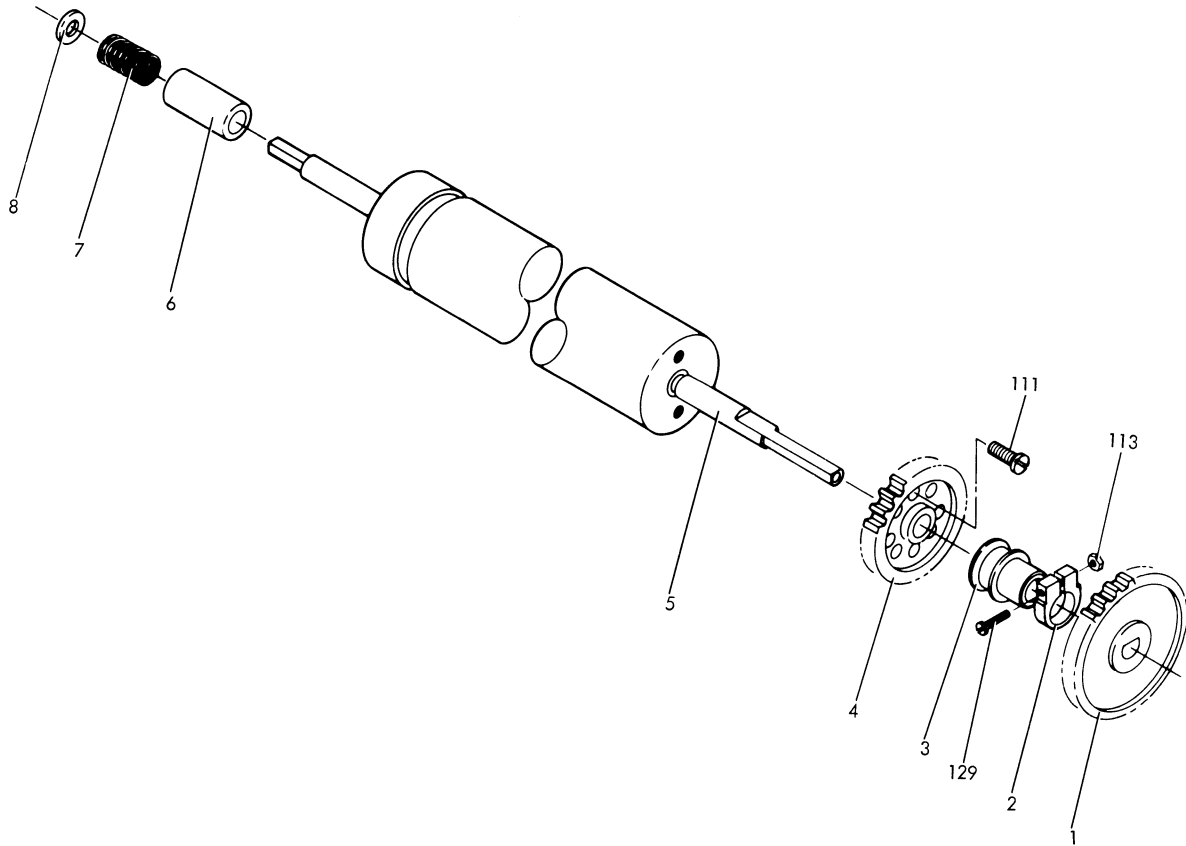


FIGURE 6. PLATEN ASM. SEE LIST 6.



FOR PARTS  
NOT SHOWN  
SEE FIG. 3

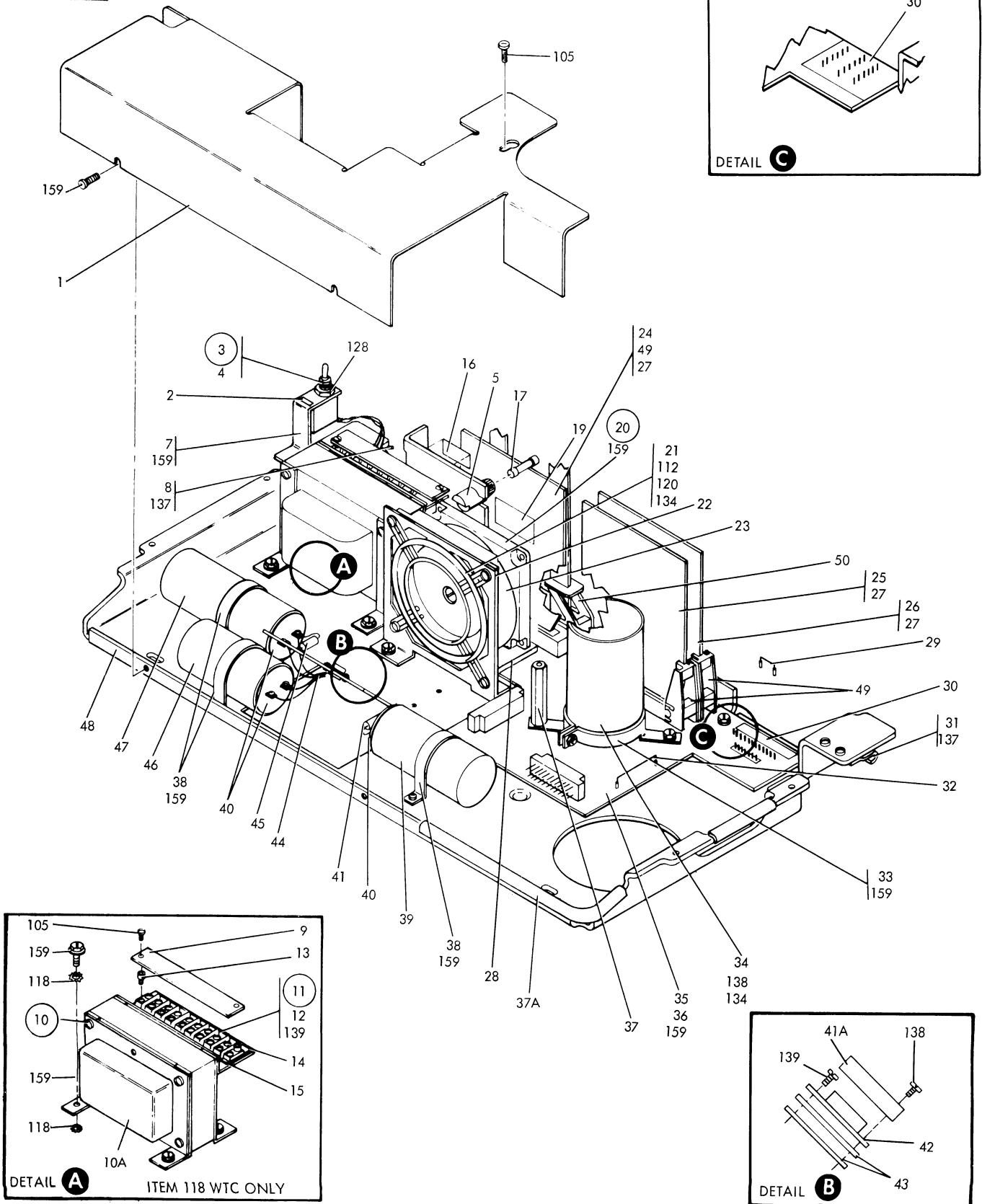


FIGURE 7. POWER SUPPLY ASM. SEE LIST 7.

| FIGURE-<br>INDEX<br>NUMBER | PART<br>NUMBER | UNITS<br>PER<br>ASM. | DESCRIPTION FOR FIGURE 7                                                                         |   |   |   |
|----------------------------|----------------|----------------------|--------------------------------------------------------------------------------------------------|---|---|---|
|                            |                |                      | 1                                                                                                | 2 | 3 | 4 |
| 7                          | 843371         |                      | POWER SUPPLY ASM,80 CPS                                                                          |   |   |   |
|                            | 1638899        |                      | POWER SUPPLY ASM,120 CPS                                                                         |   |   |   |
|                            |                |                      | FOR NEXT HIGHER ASM SEE LIST 3-5<br>AND FOR ILLUSTRATION FIG. 7                                  |   |   |   |
| - 1                        | 843221         | 1                    | • COVER                                                                                          |   |   |   |
| - 2                        | 122685         | 1                    | • NAMEPLATE-USED ON 80 CPS MACHINES<br>WITHOUT EC 579969                                         |   |   |   |
| - 3                        | 843425         | 1                    | • AC WIRING ASM                                                                                  |   |   |   |
|                            |                |                      | USED ON 80 CPS MACHINES<br>WITHOUT EC 579969                                                     |   |   |   |
| - 4                        | 843424 NR      | 1                    | • • SWITCH                                                                                       |   |   |   |
| - 5                        | 1638846        | 1                    | • • FUSE HOLDER ASM                                                                              |   |   |   |
| - 7                        | 843310         | 1                    | • BRACKET-USED ON 80 CPS MACHINES<br>WITHOUT EC 579969                                           |   |   |   |
| - 8                        | 1204528        | 1                    | • GUIDE,LH                                                                                       |   |   |   |
| - 9                        | 361537         | 1                    | • SHIELD                                                                                         |   |   |   |
| - 10                       | 843592         | 1                    | • TRANSFORMER                                                                                    |   |   |   |
| - 10                       | 843594         |                      | • TRANSFORMER,WTC/GBGI                                                                           |   |   |   |
| - 10A                      | 1638879        | 1                    | • • SHIELD                                                                                       |   |   |   |
| - 11                       | 843587 NR      | 1                    | • • BRACKET ASM                                                                                  |   |   |   |
| - 12                       | 522850 NR      | 1                    | • • • TERMINAL BLOCK                                                                             |   |   |   |
| - 13                       | 2728872 NR     | 2                    | • • • STANDOFF                                                                                   |   |   |   |
| - 14                       | 522849 NR      | 1                    | • • • MARKER STRIP                                                                               |   |   |   |
| - 15                       | 843581 NR      | 1                    | • • • BRACKET                                                                                    |   |   |   |
| - 16                       | 843268         | 1                    | • LABEL,2A SB 100/115V                                                                           |   |   |   |
| - 16                       | 843294         | 1                    | • LABEL 1A SB 220/235V                                                                           |   |   |   |
| - 17                       | 615683         | 1                    | • FUSE,2A SB 100/115V                                                                            |   |   |   |
| - 17                       | 303549         | 1                    | • FUSE,1A SB 220/220V                                                                            |   |   |   |
| - 19                       | 845762         | 1                    | • LABEL                                                                                          |   |   |   |
| - 20                       | 843595         | 1                    | • FAN ASM,80 CPS<br>USED ON MACHINES WITHOUT EC 579779                                           |   |   |   |
| - 20                       | 1638990        | 1                    | • FAN ASM,80 CPS<br>USED ON MACHINES WITH EC 579779                                              |   |   |   |
| - 20                       | 1638717        | 1                    | • FAN ASM,120 CPS                                                                                |   |   |   |
| - 21                       | 5130688 NR     | 1                    | • • GUARD,80 CPS                                                                                 |   |   |   |
| - 22                       | 843134 NR      | 1                    | • • BRACKET,80 CPS<br>USED ON MACHINES WITHOUT EC 579779                                         |   |   |   |
| - 22                       | 1638703 NR     | 1                    | • • BRACKET,80 CPS AND 120 CPS<br>USED ON MACHINES WITH EC 579779                                |   |   |   |
| - 23                       | 843590 NR      | 1                    | • • FAN,80 CPS                                                                                   |   |   |   |
| - 23                       | 1638783 NR     | 1                    | • • FAN,120 CPS                                                                                  |   |   |   |
| - 24                       | 5863336        | 1                    | • CIRCUIT CARD,WIRE DRIVE<br>WITH FORMS EMITTER PC BOARD<br>USED ON MACHINES WITHOUT EC 579623   |   |   |   |
| - 24                       | 5863341        | 1                    | • CIRCUIT CARD,WIRE DRIVE<br>WITHOUT FORMS EMITTER PC BOARD<br>USED ON MACHINES WITH EC 579623   |   |   |   |
| - 25                       | 5863337        | 1                    | • CIRCUIT CARD,MOTOR DRIVE<br>WITH FORMS EMITTER PC BOARD<br>USED ON MACHINES WITHOUT EC 579623  |   |   |   |
| - 25                       | 5863342        | 1                    | • CIRCUIT CARD,MOTOR DRIVE<br>WITHOUT FORMS EMITTER PC BOARD<br>USED ON MACHINES WITH EC 579623  |   |   |   |
| - 26                       | 5863338        | 1                    | • CIRCUIT CARD,VR/SENSE AMP<br>WITH FORMS EMITTER PC BOARD<br>USED ON MACHINES WITHOUT EC 579623 |   |   |   |
| - 26                       | 5863340        | 1                    | • CIRCUIT CARD,VR/SENSE AMP<br>WITHOUT FORMS EMITTER PC BOARD<br>USED ON MACHINES WITH EC 579623 |   |   |   |
| - 27                       | 811804         | 3                    | • GUIDE,12 PAC                                                                                   |   |   |   |
| - 28                       | 843487         | 1                    | • INSULATOR,120 CPS                                                                              |   |   |   |
| - 29                       | 452608         | 2                    | • JUMPER                                                                                         |   |   |   |
| - 30                       | 843259         | 1                    | • LABEL,TEST POINTS                                                                              |   |   |   |
| - 31                       | 1204527        | 1                    | • GUIDE,RH                                                                                       |   |   |   |
| - 32                       | 843473         | 1                    | • JUMPER                                                                                         |   |   |   |
| - 33                       | 843531         | 1                    | • CLAMP,CAPACITOR                                                                                |   |   |   |
| - 34                       | 2706648        | 1                    | • CAPACITOR                                                                                      |   |   |   |
| - 35                       | 1638818        | 1                    | • BOARD A1,POWER SUPPLY                                                                          |   |   |   |
| - 36                       | 843347         | 1                    | • INSULATOR                                                                                      |   |   |   |
| - 37                       | 843366         | 1                    | • STUD                                                                                           |   |   |   |
| - 37A                      | 2544086        | AR                   | • GROMMET                                                                                        |   |   |   |
| - 38                       | 843129         | 1                    | • CLAMP,CAPACITOR                                                                                |   |   |   |
| - 39                       | 2706649        | 1                    | • CAPACITOR                                                                                      |   |   |   |
| - 40                       | 5261296        | 3                    | • SHIELD                                                                                         |   |   |   |
| - 41                       | 843447         | 1                    | • RESISTOR ASM                                                                                   |   |   |   |
| - 41A                      | 843246         | 1                    | • COVER                                                                                          |   |   |   |
| - 42                       | 5252662        | 1                    | • TRANSISTOR                                                                                     |   |   |   |
| - 43                       | 5130489        | 2                    | • INSULATOR                                                                                      |   |   |   |
| - 44                       | 843342         | 1                    | • CABLE ASM-80 CPS                                                                               |   |   |   |



THIS PAGE INTENTIONALLY LEFT BLANK

FOR PARTS  
NOT SHOWN  
SEE FIG. 4

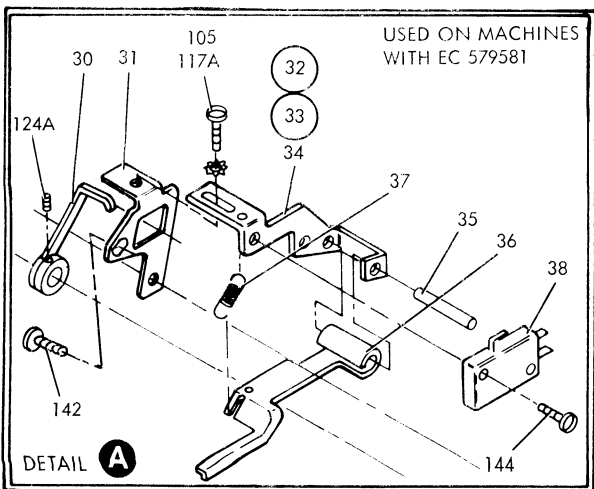
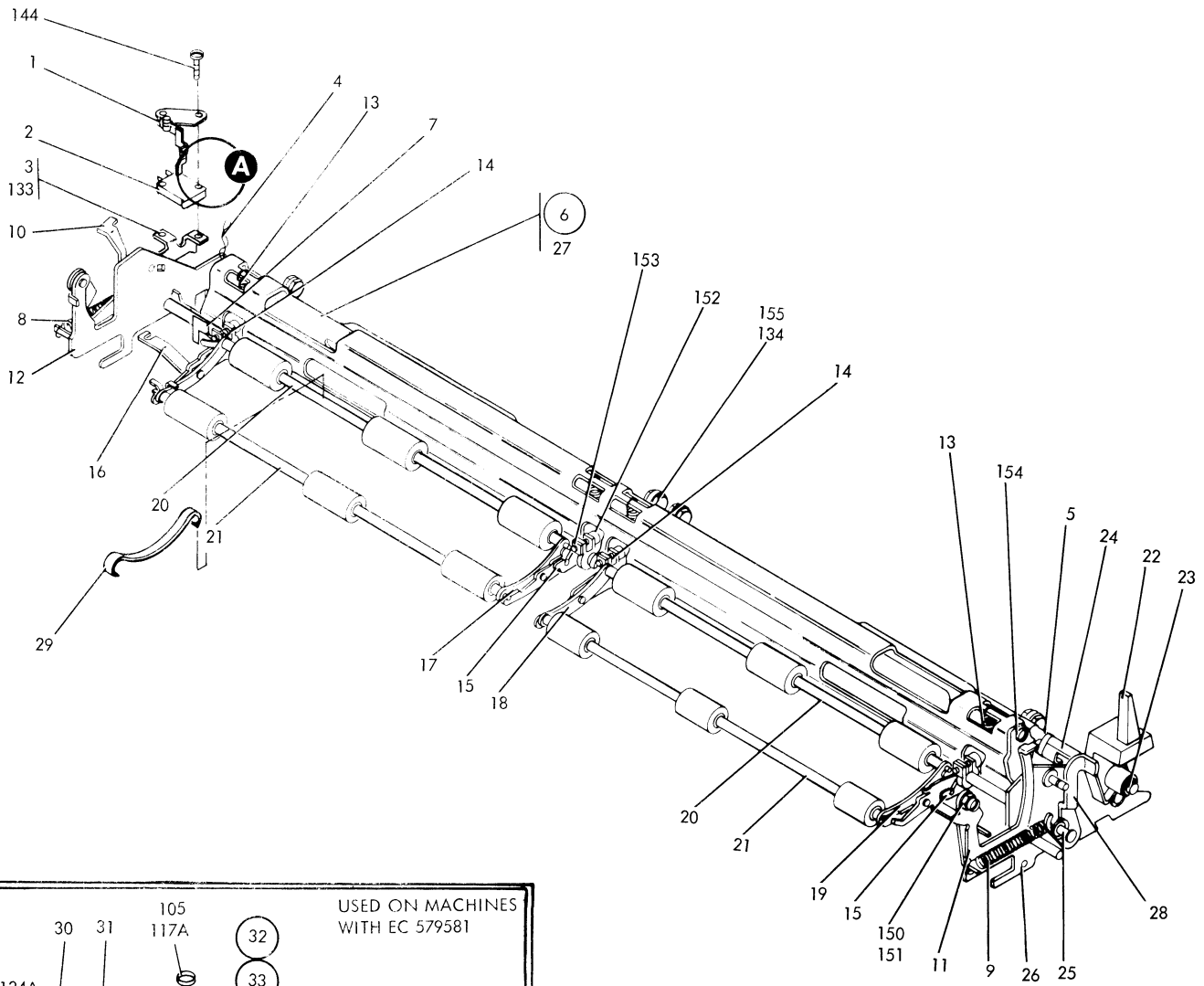


FIGURE 8. A-FRAME ASM. SEE LIST 8.





FOR PARTS  
NOT SHOWN  
SEE FIG. 4

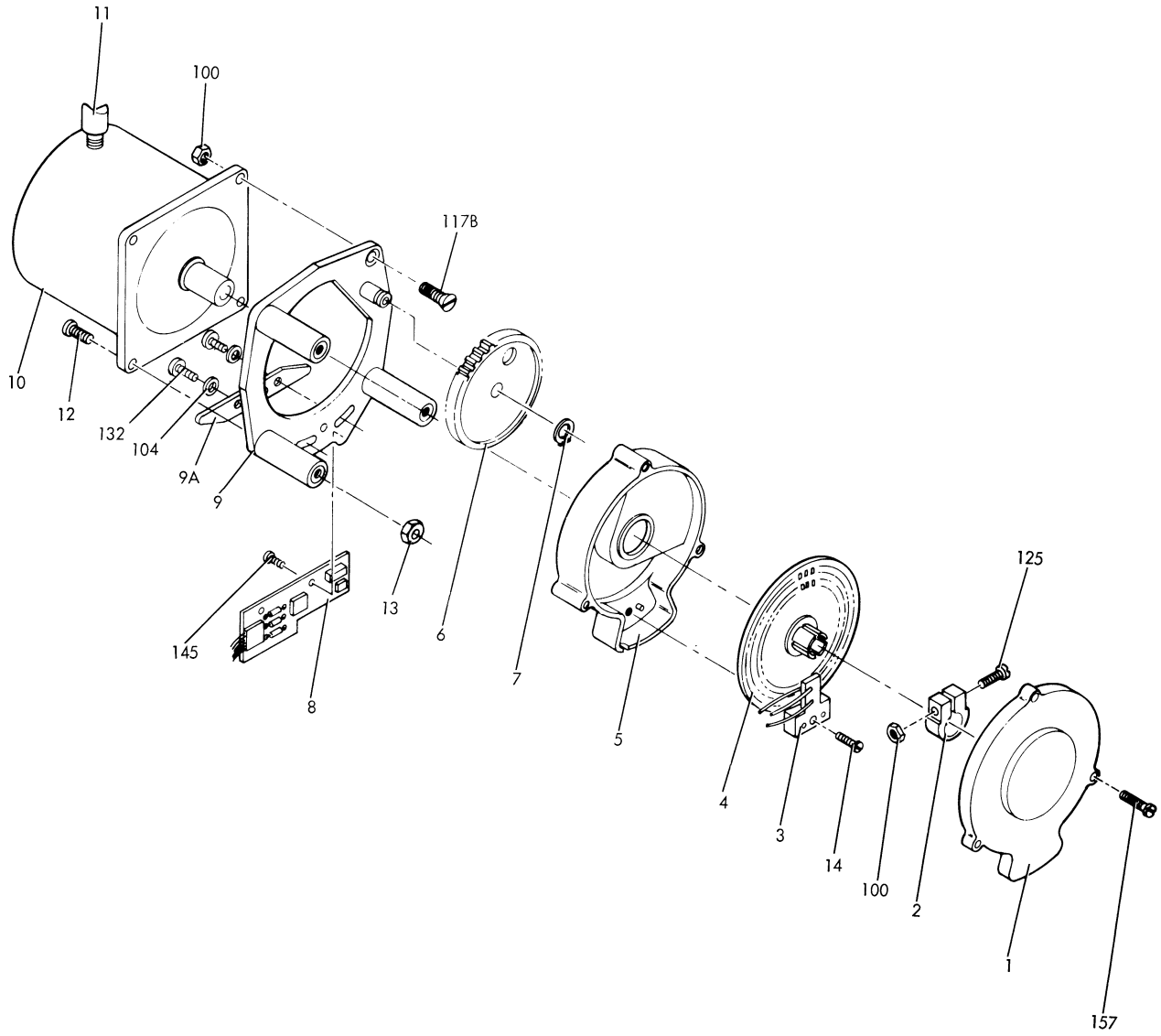


FIGURE 9. EMITTER ASM, FORMS FEED. SEE LIST 9.



FOR PARTS  
NOT SHOWN  
SEE FIG. 4

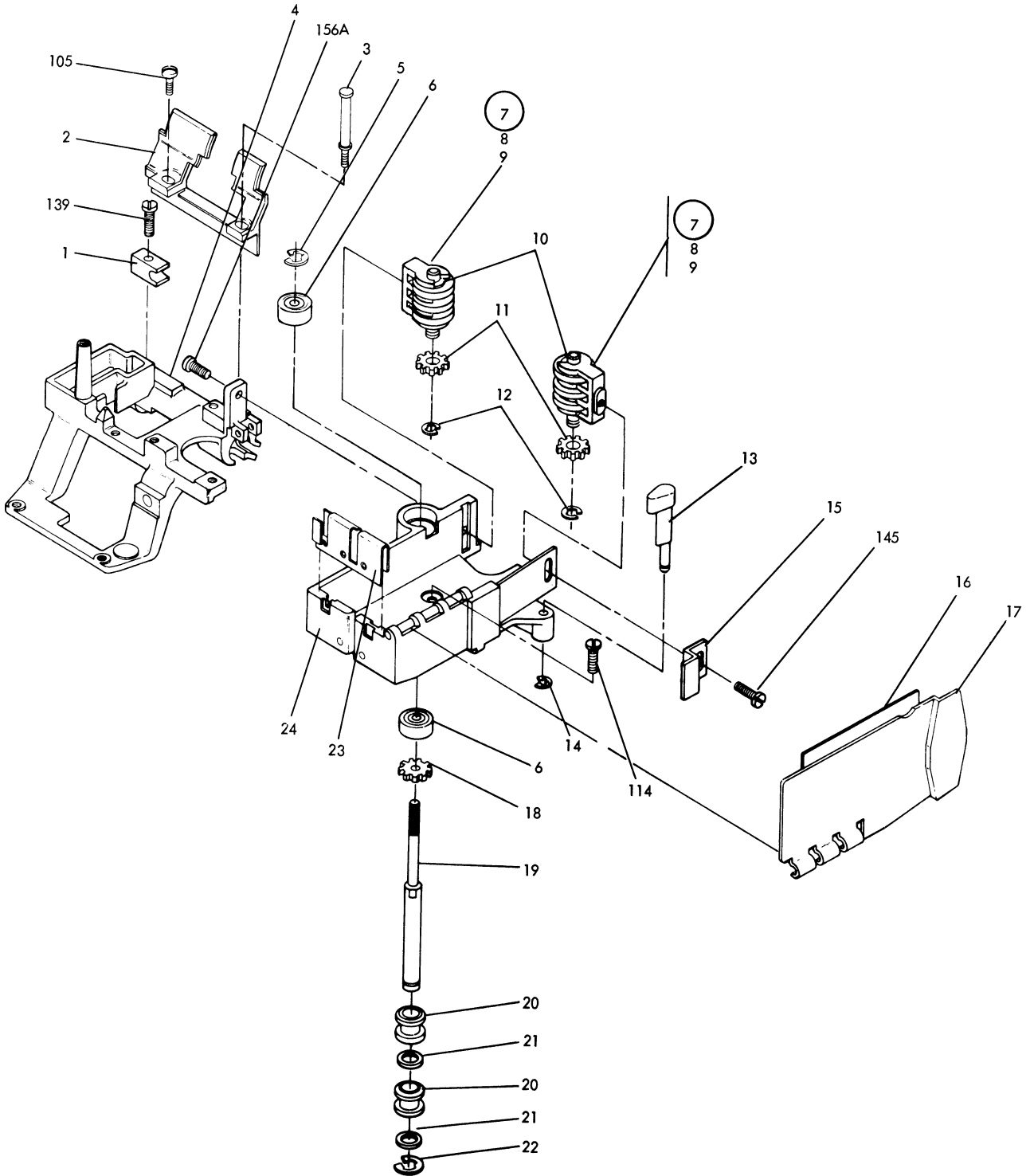


FIGURE 10. CARRIER ASM. SEE LIST 10.



FOR PARTS  
NOT SHOWN  
SEE FIG. 4

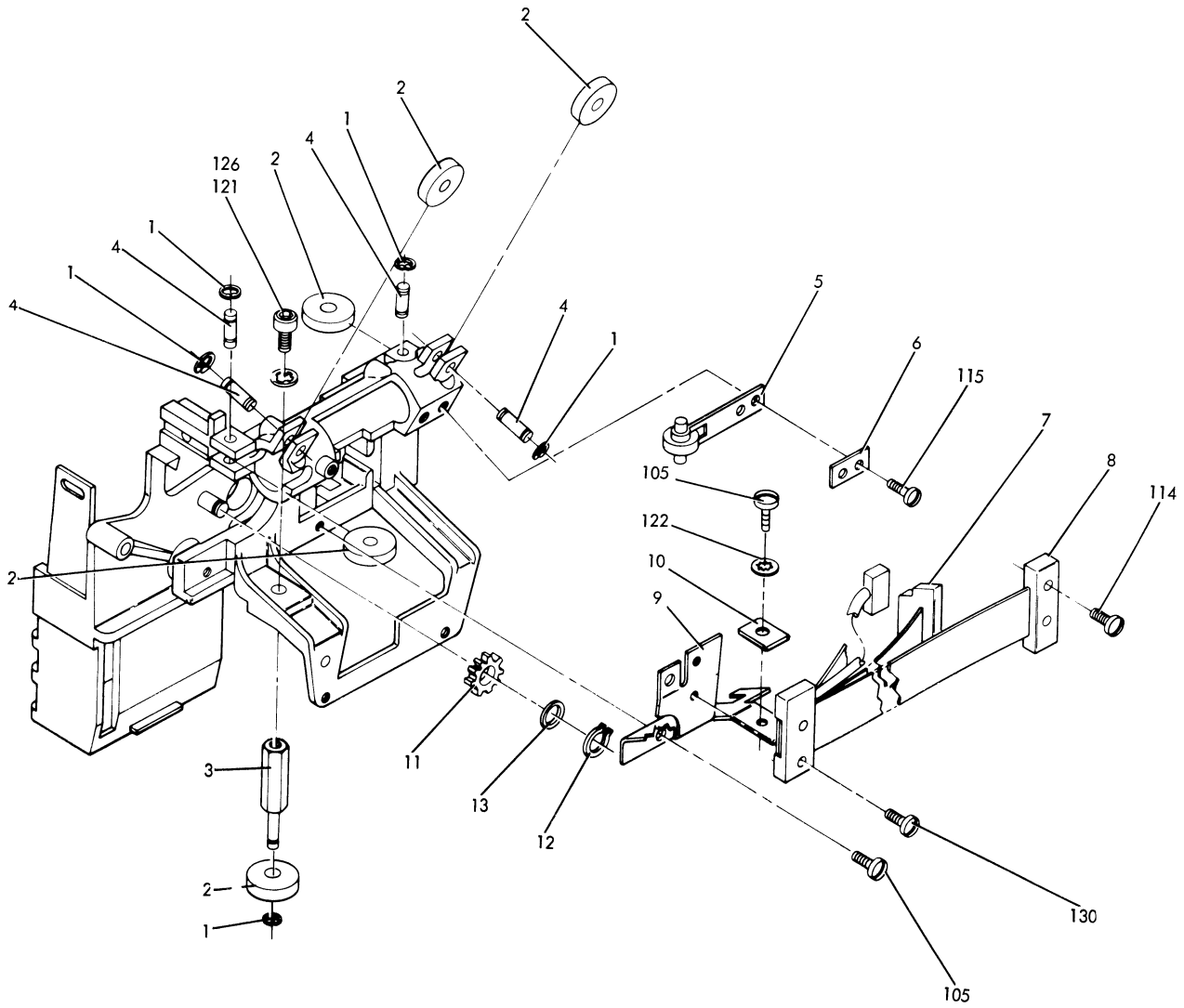


FIGURE 11. CARRIER ASM. SEE LIST 11.



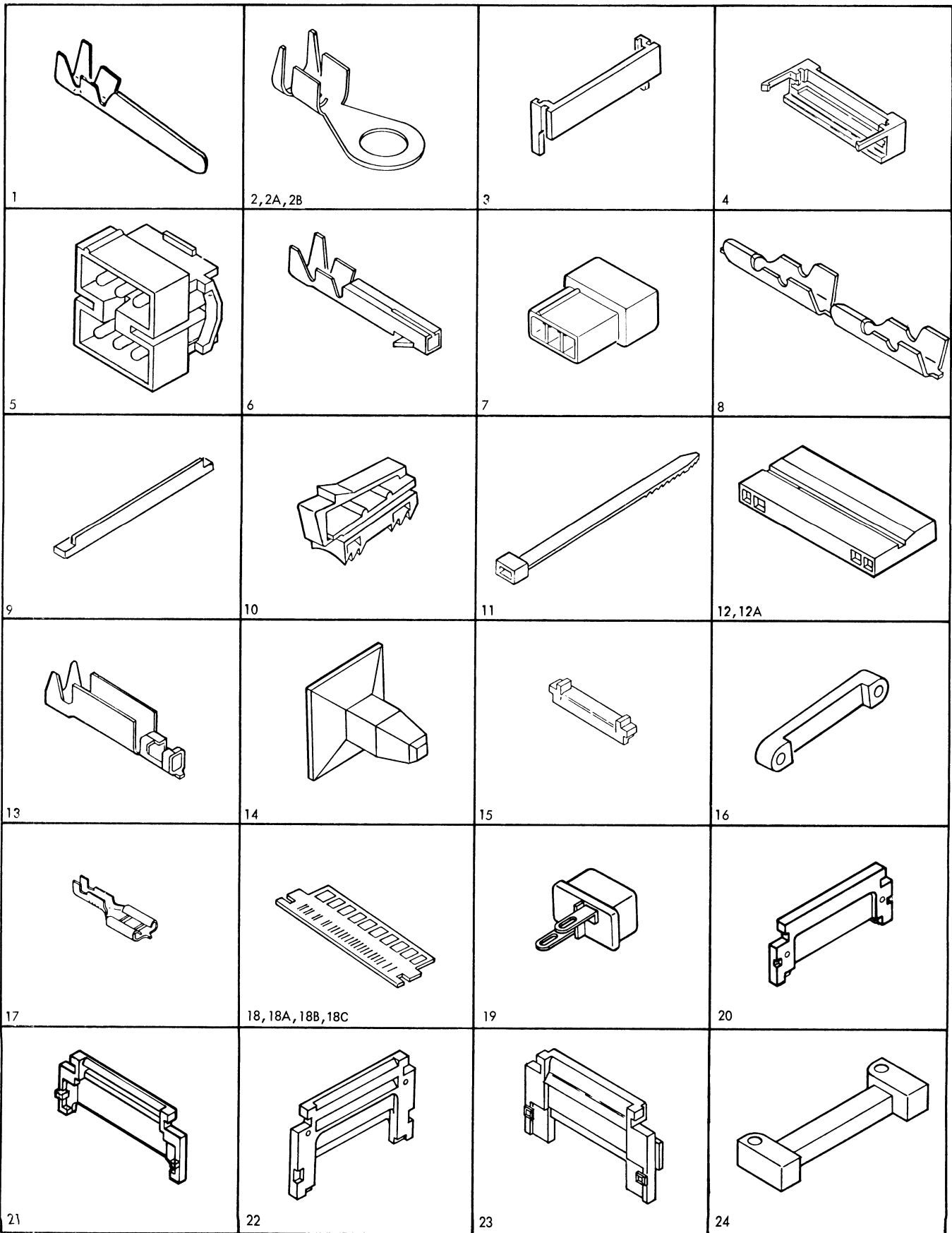
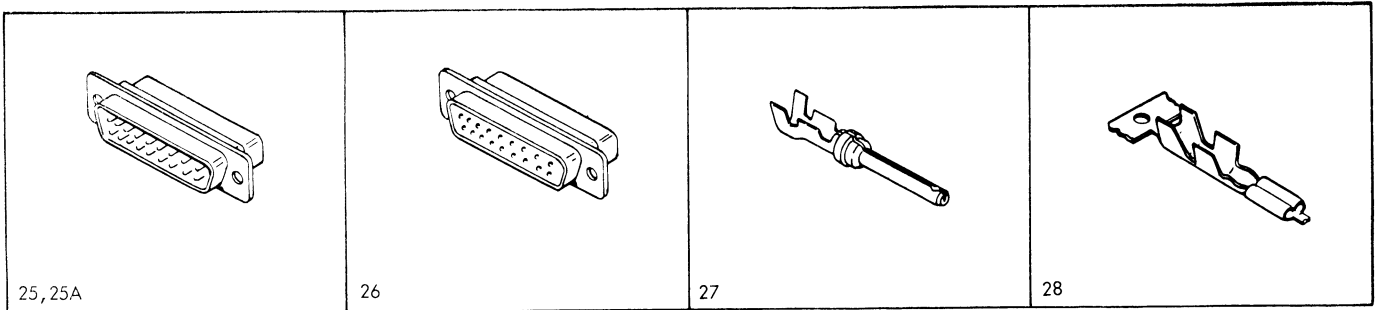


FIGURE 12. CABLE AND JUMPER ASM COMPONENT PARTS. SEE LIST 12.





| FIGURE-<br>INDEX<br>NUMBER | PART<br>NUMBER | UNITS<br>PER<br>ASM. | DESCRIPTION FOR FIGURE 12                                                                        |   |   |   |
|----------------------------|----------------|----------------------|--------------------------------------------------------------------------------------------------|---|---|---|
|                            |                |                      | 1                                                                                                | 2 | 3 | 4 |
| 12                         | NO NO.         |                      | CABLE AND JUMPER ASM COMPONENT PARTS                                                             |   |   |   |
|                            | 843262         |                      | CABLE ASM,PRINT HEAD                                                                             |   |   |   |
|                            | 843263         |                      | CABLE ASM,MACHINE<br>USED ON MACHINES WITH FORMS EMITTER<br>PC BOARD AND WITHOUT EC 579623       |   |   |   |
|                            | 1638782        |                      | CABLE ASM,MACHINE<br>USED ON MACHINES W/O FORMS EMITTER<br>PC BOARD AND WITH EC 579623           |   |   |   |
|                            | 843264         |                      | CABLE ASM,FORMS EMITTER<br>USED ON MACHINES WITH FORMS EMITTER<br>PC BOARD AND WITHOUT EC 579623 |   |   |   |
|                            | 843333         |                      | CABLE ASM,END OF FORMS                                                                           |   |   |   |
|                            | 843342         |                      | CABLE ASM,POWER SUPPLY                                                                           |   |   |   |
|                            | 1608232        |                      | LINE CORD                                                                                        |   |   |   |
|                            | 1608233        |                      | CABLE ASM,AC DISTRIBUTION                                                                        |   |   |   |
|                            | 1608488        |                      | CABLE ASM,I/O PLUG                                                                               |   |   |   |
|                            | 1608489        |                      | CABLE ASM,I/O RECEPTACLE                                                                         |   |   |   |
|                            | 1608492        |                      | CABLE ASM,POWER PLUG                                                                             |   |   |   |
|                            | 1608541        |                      | CABLE ASM.                                                                                       |   |   |   |
| - 1                        | 483657         |                      | • TERMINAL,TAPER PIN 26-18 AWG                                                                   |   |   |   |
| - 2                        | 483677         |                      | • TERMINAL,RING 16-22 AWG NO. 6 HOLE                                                             |   |   |   |
| - 2A                       | 483681         |                      | • TERMINAL,RING 18-20 AWG NO. 8 HOLE                                                             |   |   |   |
| - 2B                       | 483685         |                      | • TERMINAL,RING 18-20 AWG NO. 10 HOLE                                                            |   |   |   |
| - 3                        | 811802         |                      | • CARD GUIDE,6 PAC                                                                               |   |   |   |
| - 4                        | 818556         |                      | • STRAIN RELIEF                                                                                  |   |   |   |
| - 5                        | 1160983        |                      | • HOUSING                                                                                        |   |   |   |
| - 6                        | 1166114        |                      | • TERMINAL PIN 22-18 AWG                                                                         |   |   |   |
| - 7                        | 1166117        |                      | • HOUSING                                                                                        |   |   |   |
| - 8                        | 2114526        |                      | • RECEPTACLE PIN                                                                                 |   |   |   |
| - 9                        | 2454975        |                      | • RETAINER                                                                                       |   |   |   |
| - 10                       | 2546373        |                      | • ANCHOR,CABLE                                                                                   |   |   |   |
| - 11                       | 2546652        |                      | • STRAP                                                                                          |   |   |   |
| - 12                       | 2637680        |                      | • HOUSING,1X4                                                                                    |   |   |   |
| - 12A                      | 2731394        |                      | • HOUSING,1X8                                                                                    |   |   |   |
| - 13                       | 2637682        |                      | • CONNECTOR DISCRETE 26-22 AWG                                                                   |   |   |   |
| - 14                       | 2637689        |                      | • INSERT POLARIZATION                                                                            |   |   |   |
| - 15                       | 4685093        |                      | • STRAIN RELIEF                                                                                  |   |   |   |
| - 16                       | 5353922        |                      | • STRAIN RELIEF                                                                                  |   |   |   |
| - 17                       | 5412817        |                      | • TERMINAL                                                                                       |   |   |   |
| - 18                       | 5800610        |                      | • CARD,CABLE                                                                                     |   |   |   |
| - 18A                      | 5800674        |                      | • CARD,CABLE                                                                                     |   |   |   |
| - 18B                      | 5998622        |                      | • CARD,CABLE                                                                                     |   |   |   |
| - 18C                      | 5999990        |                      | • CARD,CABLE                                                                                     |   |   |   |
| - 19                       | 195000         |                      | • LAMP SOCKET                                                                                    |   |   |   |
| - 20                       | 813350         |                      | • STRAIN RELIEF                                                                                  |   |   |   |
| - 21                       | 813351         |                      | • STRAIN RELIEF                                                                                  |   |   |   |
| - 22                       | 813803         |                      | • STRAIN RELIEF                                                                                  |   |   |   |
| - 23                       | 813804         |                      | • STRAIN RELIEF                                                                                  |   |   |   |
| - 24                       | 5352958        |                      | • STRAIN RELIEF                                                                                  |   |   |   |
| - 25                       | 1608649        |                      | • CONNECTOR,15 POS-PLUG                                                                          |   |   |   |
| - 25A                      | 1608688        |                      | • CONNECTOR,25 POS-PLUG                                                                          |   |   |   |
| - 26                       | 1608689        |                      | • CONNECTOR 25 POS-RECEPTACLE                                                                    |   |   |   |
| - 27                       | 1655339        |                      | • TERMINAL,PIN 20-24 AWG                                                                         |   |   |   |
| - 28                       | 1608893        |                      | • TERMINAL,SLIP-ON 24-20 AWG                                                                     |   |   |   |

| FIGURE-<br>INDEX<br>NUMBER | PART<br>NUMBER | UNITS<br>PER<br>ASM. | DESCRIPTION FOR FIGURE 13                  |   |   |   |
|----------------------------|----------------|----------------------|--------------------------------------------|---|---|---|
|                            |                |                      | 1                                          | 2 | 3 | 4 |
| 13                         | NO NO.         |                      | ATTACHING PARTS                            |   |   |   |
| - 100                      | 221            |                      | • NUT,HEX 10-32                            |   |   |   |
| - 101                      | 337            |                      | • SCREW,MACH-FIL HD 8-32 X 3/8 LG          |   |   |   |
| - 102                      | 367            |                      | • SCREW,MACH-FLAT HD 10-32 X 5/8 LG        |   |   |   |
| - 102A                     | 3550           |                      | • WASHER,FLAT 1/4 ID X 9/16 OD X .05 THK   |   |   |   |
| - 103                      | 3960           |                      | • NUT,HEX 1/4-20 X 7/16 FL W               |   |   |   |
| - 104                      | 6364           |                      | • WASHER,LOCK-SPLIT NO. 6 X 1/4 OD         |   |   |   |
| - 105                      | 10170          |                      | • SCREW,MACH-BIND HD 6-32 X 1/4 LG         |   |   |   |
| - 106                      | 11598          |                      | • NUT,HEX 10-32                            |   |   |   |
| - 107                      | 15887          |                      | • SCREW,MACH-BIND HD 2-56 X 1/8 LG         |   |   |   |
| - 108                      | 25627          |                      | • SCREW,MACH-BIND HD 8-32 X 1/2 LG         |   |   |   |
| - 109                      | 32042          |                      | • SCREW,MACH-BIND HD 10-32 X 3/8 LG        |   |   |   |
| - 110                      | 32617          |                      | • SCREW,MACH-BIND HD 10-32 X 7/16 LG       |   |   |   |
| - 111                      | 34512          |                      | • SCREW,MACH-BIND HD 8-32 X 3/8 LG         |   |   |   |
| - 112                      | 35739          |                      | • SCREW,MACH-BIND HD 6-32 X 7/16 LG        |   |   |   |
| - 112A                     | 36844          |                      | • SCREW,MACH-HEX HD 1/4-20 X 5/8 LG        |   |   |   |
| - 113                      | 37913          |                      | • NUT,HEX 4-40                             |   |   |   |
| - 114                      | 38235          |                      | • SCREW,MACH-BIND HD 6-32 X 5/16 LG        |   |   |   |
| - 115                      | 38350          |                      | • SCREW,MACH-FIL HD 6-32 X 1/4 LG          |   |   |   |
| - 115A                     | 38442          |                      | • SCREW,MACH,FLAT HD 6-32 X 1/4 LG         |   |   |   |
| - 116                      | 45690          |                      | • WASHER,FLAT NO. 10 X 7/16 OD X 1/32 THK  |   |   |   |
| - 116A                     | 48594          |                      | • SCREW,MACH,BIND HD 4-40 X 3/16 LG        |   |   |   |
| - 117                      | 52523          |                      | • SCREW,MACH-FIL HD 4-40 X 5/8 LG          |   |   |   |
| - 117A                     | 55901          |                      | • WASHER,LOCK-EXT T .168 ID X .381 OD      |   |   |   |
| - 117B                     | 55918          |                      | • SCREW,MACH-BIND HD 10-32 X 5/8 LG        |   |   |   |
| - 118                      | 56079          |                      | • WASHER,LOCK-EXT T .195 ID X .41 OD       |   |   |   |
| - 119                      | 56121          |                      | • WASHER,LOCK-INT T NO. 10 X .381 OD       |   |   |   |
| - 120                      | 56722          |                      | • WASHER,LOCK-EXT T .141 ID                |   |   |   |
| - 120A                     | 58207          |                      | • SCREW,MACH,BIND HD 8-32 X 1/4 LG         |   |   |   |
| - 121                      | 60646          |                      | • WASHER,LOCK-INT T NO. 8 X .34 OD         |   |   |   |
| - 122                      | 62031          |                      | • WASHER,LOCK-INT T NO. 6 X .295 OD        |   |   |   |
| - 123                      | 70078          |                      | • SCREW,THD FORM-PAN HD 6-32 X 1/4 LG      |   |   |   |
| - 123A                     | 72828          |                      | • NUT,SELF LKG 8-32 X .334 FL W            |   |   |   |
| - 123B                     | 76574          |                      | • WASHER,LOCK EXT T 1/4 ID X 1/2 OD        |   |   |   |
| - 123C                     | 80651          |                      | • SCREW,THD FORM-BIND HD 6-32 X 3/8 LG     |   |   |   |
| - 124                      | 81693          |                      | • SCREW,MACH-BIND HD 6-32 X 3/8 LG         |   |   |   |
| - 124A                     | 123780         |                      | • SETSCREW,SPLINE DR CUP PT 10-32X3/16 LG  |   |   |   |
| - 125                      | 129654         |                      | • SCREW,CAP-SOC HD 10-32 X 3/8 LG          |   |   |   |
| - 126                      | 149897         |                      | • SCREW,CAP-SOC HD 8-32 X 3/8 LG           |   |   |   |
| - 127                      | 150209         |                      | • WASHER,LOCK-EXT T .115 ID X .27 OD       |   |   |   |
| - 127A                     | 151720         |                      | • SETSCREW,6 FLUTE DR CUP PT 8-32X3/16 LG  |   |   |   |
| - 127B                     | 170215         |                      | • SCREW AND WASHER 6-32 X 3/8 LG           |   |   |   |
| - 128                      | 179743         |                      | • NUT,HEX 15/32-32 X 9/16 FL W             |   |   |   |
| - 128A                     | 186758         |                      | • SCREW,MACH-BIND HD 8-32 X 7/16 LG        |   |   |   |
| - 129                      | 186925         |                      | • SCREW,CAP,6 FLUTE SOC HD 4-40 X 5/8 LG   |   |   |   |
| - 130                      | 236550         |                      | • SCREW,MACH-BIND HD 4-40 X 3/8 LG         |   |   |   |
| - 131                      | 236849         |                      | • SCREW,MACH-BIND HD 10-32 X 1/4 LG        |   |   |   |
| - 132                      | 251820         |                      | • SCREW,CAP-SOC HD 6-32 X 1/2 LG           |   |   |   |
| - 133                      | 251970         |                      | • SCREW,MACH-BIND HD 4-40 X 1/4 LG         |   |   |   |
| - 134                      | 257187         |                      | • NUT,HEX 6-32                             |   |   |   |
| - 134A                     | 257189         |                      | • NUT,HEX 8-32                             |   |   |   |
| - 135                      | 257957         |                      | • SETSCREW,6 FLUTE HD-CUP PT 4-40 X 1/8 LG |   |   |   |
| - 135A                     | 257969         |                      | • SETSCREW,6 FLUTE 6-32 X 1/8 LG CUP PT    |   |   |   |
| - 136                      | 257986         |                      | • WASHER,FLAT 5/32 ID X 5/16 OD X 1/32 THK |   |   |   |
| - 137                      | 265195         |                      | • SCREW,MACH-HEX HD 6-32 X 7/16 LG         |   |   |   |
| - 137A                     | 321483         |                      | • SCREW,MACH-BIND HD 8-32 X 1 LG           |   |   |   |
| - 138                      | 322065         |                      | • SCREW,MACH-BIND HD 6-32 X 5/8 LG         |   |   |   |
| - 139                      | 322550         |                      | • SCREW,MACH-BIND HD 6-32 X 1/2 LG         |   |   |   |
| - 139A                     | 322551         |                      | • SCREW,MACH-BIND HD 6-32 X 3/4 LG         |   |   |   |
| - 140                      | 328816         |                      | • SETSCREW,SPLINE DR CUP PT 6-32 X 3/16 LG |   |   |   |
| - 140A                     | 336657         |                      | • SCREW                                    |   |   |   |
| - 141                      | 338238         |                      | • SCREW,MACH-BIND HD 4-40 X 5/16 LG        |   |   |   |
| - 141A                     | 438539         |                      | • SCREW,MACH-BIND HD 2-56 X .312 LG        |   |   |   |
| - 141B                     | 438542         |                      | • SCREW,MACH-BIND HD 2-56 X .500 LG        |   |   |   |
| - 142                      | 438548         |                      | • SCREW,MACH-BIND HD 4-40 X 3/16 LG        |   |   |   |
| - 143                      | 438549         |                      | • SCREW,MACH-BIND HD 4-40 X 7/16 LG        |   |   |   |
| - 144                      | 438550         |                      | • SCREW,MACH-BIND HD 4-40 X .500 LG        |   |   |   |
| - 144A                     | 438622         |                      | • SCREW,MACH-BIND HD 1/4-20 X .375 LG      |   |   |   |
| - 144B                     | 602721         |                      | • NUT,HEX LOCK 10-32                       |   |   |   |
| - 144C                     | 638132         |                      | • WASHER,FLAT .169 ID X 5/8 OD X 3/32 THK  |   |   |   |
| - 145                      | 731626         |                      | • SCREW,THD FORM-PAN HD 6-32 X 1/4 LG      |   |   |   |
| - 145A                     | 734483         |                      | • SCREW,PAN HD 6-32 X 3/8 LG               |   |   |   |
| - 146                      | 843248         |                      | • SCREW,SHOULDER                           |   |   |   |
| - 146A                     | 843258         |                      | • SCREW,MACH-BIND HD NYLOC 4-40 X 3/8 LG   |   |   |   |
| - 146B                     | 843278         |                      | • SCREW                                    |   |   |   |
| - 147                      | 843481         |                      | • SCREW,CAPTIVE-BIND HD 10-32 X 1-1/4 LG   |   |   |   |
| - 148                      | 1073462        |                      | • SETSCREW,FLAT PT 6-32 X 3/16 LG          |   |   |   |
| - 149                      | 1100523        |                      | • SETSCREW,SPLINE DR CUP PT 6-32 X 3/16 LG |   |   |   |
| - 150                      | 1115736        |                      | • SCREW                                    |   |   |   |
| - 151                      | 1124803        |                      | • NUT                                      |   |   |   |



THIS PAGE INTENTIONALLY LEFT BLANK

## NUMERICAL INDEX

| PART NUMBER | LIST AND INDEX NO. | PART NUMBER | LIST AND INDEX NO. | PART NUMBER | LIST AND INDEX NO. | PART NUMBER | LIST AND INDEX NO. |
|-------------|--------------------|-------------|--------------------|-------------|--------------------|-------------|--------------------|
| 221         | 9 - 13             | 303549      | 7 - 17             | 843164      | 4 - 29             | 843292      | 5 - 27             |
| 221         | 13 - 100           | 311072      | 5 - 17             | 843169      | 10 - 9             | 843293      | 5 - 43             |
| 337         | 13 - 101           | 313694      | 5 - 34             | 843170      | 4 - 48             | 843294      | 1A - 29            |
| 367         | 13 - 102           | 321483      | 13 - 137A          | 843170      | 10                 | 843294      | 7 - 16             |
| 3550        | 13 - 102A          | 322065      | 13 - 138           | 843170      | 11                 | 843300      | 10 - 1             |
| 3960        | 13 - 103           | 322550      | 13 - 139           | 843172      | 10 - 8             | 843302      | 8 - 6              |
| 6364        | 13 - 104           | 322551      | 13 - 139A          | 843173      | 4 - 13             | 843304      | 3 - 14             |
| 10170       | 13 - 105           | 322562      | 9 - 12             | 843174      | 4 - 33             | 843305      | 3 - 16             |
| 11598       | 13 - 106           | 327686      | 5 - 51             | 843175      | 4 - 49             | 843306      | 3 - 15             |
| 15887       | 13 - 107           | 328816      | 13 - 140           | 843177      | 10 - 19            | 843310      | 7 - 7              |
| 25627       | 13 - 108           | 332747      | 10 - 22            | 843179      | 10 - 18            | 843313      | 5 - 4              |
| 32042       | 13 - 109           | 336657      | 13 - 140A          | 843180      | 9                  | 843316      | 4 - 14             |
| 32617       | 9 - 12             | 338238      | 13 - 141           | 843181      | 10 - 11            | 843317      | 4 - 15             |
| 32617       | 13 - 110           | 357419      | 2 - 2A             | 843182      | 4 - 46             | 843323      | 3 - 9              |
| 34512       | 13 - 111           | 357433      | 1A - 23A           | 843183      | 11 - 9             | 843324      | 3 - 8              |
| 35739       | 13 - 112           | 361537      | 7 - 9              | 843185      | 11 - 11            | 843326      | 3 - 6              |
| 36844       | 13 - 112A          | 364422      | 2 - 3              | 843194      | 4 - 28B            | 843329      | 10 - 4             |
| 37913       | 13 - 113           | 369207      | 1 - 4              | 843195      | 4 - 27             | 843333      | 8 - 4              |
| 38235       | 13 - 114           | 438539      | 13 - 141A          | 843202      | 4 - 45             | 843333      | 12                 |
| 38350       | 13 - 115           | 438542      | 13 - 141B          | 843204      | 5 - 12             | 843336      | 9 - 9              |
| 38442       | 1 - 31             | 438548      | 13 - 142           | 843205      | 5 - 21             | 843337      | 4 - 47             |
| 38442       | 13 - 115A          | 438549      | 13 - 143           | 843206      | 5 - 20             | 843342      | 7 - 44             |
| 38842       | 1A - 37            | 438550      | 13 - 144           | 843207      | 5 - 56             | 843342      | 12                 |
| 45690       | 13 - 116           | 438587      | 13 - 163           | 843208      | 9 - 3              | 843344      | 4 - 16             |
| 48594       | 13 - 116A          | 438622      | 13 - 144A          | 843209      | 9 - 8              | 843345      | 3 - 13             |
| 52523       | 9 - 14             | 452608      | 7 - 29             | 843211      | 4 - 34             | 843347      | 7 - 36             |
| 52523       | 13 - 117           | 483657      | 12 - 1             | 843215      | 3 - 3              | 843349      | 10 - 16            |
| 55901       | 13 - 117A          | 483677      | 12 - 2             | 843221      | 7 - 1              | 843352      | 4 - 12             |
| 55918       | 13 - 117B          | 483681      | 12 - 2A            | 843223      | 10 - 15            | 843356      | 4 - 7              |
| 56079       | 13 - 118           | 483685      | 12 - 2B            | 843223      | 10 - 13            | 843357      | 4 - 4              |
| 56121       | 13 - 119           | 522849      | 7 - 14             | 843232      | 10 - 17            | 843359      | 4 - 3              |
| 56722       | 13 - 120           | 522850      | 7 - 12             | 843233      | 4 - 26             | 843360      | 4 - 5              |
| 58207       | 13 - 120A          | 524519      | 8 - 5              | 843235      | 4 - 52             | 843364      | 1 - 6              |
| 60646       | 13 - 121           | 600960      | 13 - 161           | 843236      | 4 - 35             | 843366      | 7 - 37             |
| 62031       | 13 - 122           | 602721      | 13 - 144B          | 843237      | 3 - 10             | 843371      | 3 - 5              |
| 70078       | 13 - 123           | 615683      | 1A - 32            | 843240      | 4 - 18             | 843371      | 7                  |
| 72828       | 13 - 123A          | 615683      | 7 - 17             | 843240      | 8                  | 843378      | 9 - 2              |
| 76574       | 13 - 123B          | 638132      | 13 - 144C          | 843244      | 8 - 1              | 843379      | 2 - 10             |
| 80651       | 13 - 123C          | 638875      | 5 - 15             | 843246      | 7 - 41A            | 843384      | 11 - 4             |
| 81693       | 13 - 124           | 731626      | 13 - 145           | 843247      | 2 - 1              | 843385      | 11 - 6             |
| 107611      | 1A - 35            | 734483      | 13 - 145A          | 843248      | 13 - 146           | 843386      | 11 - 8             |
| 122685      | 7 - 2              | 811802      | 12 - 3             | 843249      | 2 - 9              | 843387      | 11 - 3             |
| 123780      | 13 - 124A          | 811804      | 7 - 27             | 843252      | 2 - 18             | 843389      | 4 - 1              |
| 129654      | 13 - 125           | 813350      | 12 - 20            | 843255      | 2 - 2              | 843411      | 3 - 2              |
| 130118      | 6 - 7              | 813351      | 12 - 21            | 843258      | 13 - 146A          | 843411      | 6                  |
| 138755      | 1 - 27             | 813590      | 1 - 24             | 843259      | 7 - 30             | 843413      | 6 - 6              |
| 138755      | 1A - 28            | 813803      | 12 - 22            | 843260      | 10 - 10            | 843414      | 6 - 1              |
| 149897      | 13 - 126           | 813804      | 12 - 23            | 843260      | 11 - 13            | 843415      | 6 - 4              |
| 150209      | 13 - 127           | 815219      | 1 - 15             | 843262      | 11 - 7             | 843416      | 6 - 5              |
| 151720      | 13 - 127A          | 815219      | 1A - 15            | 843262      | 12                 | 843421      | 1 - 5              |
| 156364      | 5 - 52             | 818556      | 12 - 4             | 843263      | 4 - 22             | 843421      | 1A - 18            |
| 156364      | 5 - 55             | 843100      | 1 - 7              | 843263      | 12                 | 843424      | 7 - 4              |
| 170215      | 13 - 127B          | 843100      | 1A - 21            | 843264      | 4 - 20             | 843425      | 7 - 3              |
| 179743      | 13 - 128           | 843100      | 3                  | 843264      | 12                 | 843426      | 2 - 5              |
| 186758      | 13 - 128A          | 843123      | 4 - 17             | 843268      | 1A - 29            | 843427      | 2 - 15             |
| 186925      | 13 - 129           | 843123      | 8 - 29             | 843268      | 7 - 16             | 843435      | 4 - 50             |
| 192049      | 6 - 8              | 843125      | 8 - 7              | 843270      | 5 - 31             | 843436      | 2 - 6              |
| 195000      | 12 - 19            | 843126      | 8 - 3              | 843270      | 5 - 37             | 843437      | 2 - 13             |
| 214968      | 1A - 36            | 843129      | 7 - 38             | 843271      | 5 - 57             | 843438      | 2 - 7              |
| 219633      | 5 - 25             | 843130      | 3 - 12             | 843272      | 5 - 26             | 843444      | 4 - 48             |
| 219633      | 5 - 44             | 843132      | 9 - 1              | 843273      | 5 - 32             | 843444      | 10                 |
| 219633      | 10 - 14            | 843133      | 9 - 5              | 843273      | 5 - 38             | 843444      | 11                 |
| 219633      | 11 - 1             | 843134      | 7 - 22             | 843274      | 5 - 29             | 843445      | 10 - 24            |
| 225574      | 11 - 2             | 843137      | 5 - 36             | 843275      | 5 - 45             | 843446      | 6 - 2              |
| 233355      | 10 - 6             | 843138      | 5 - 2              | 843276      | 5 - 39             | 843447      | 7 - 41             |
| 236550      | 13 - 130           | 843139      | 5 - 1              | 843277      | 5 - 18             | 843463      | 6 - 3              |
| 236849      | 13 - 131           | 843143      | 7 - 48             | 843278      | 5 - 14             | 843465      | 10 - 2             |
| 251820      | 13 - 132           | 843145      | 5 - 13             | 843278      | 13 - 146B          | 843467      | 10 - 24            |
| 251970      | 13 - 133           | 843146      | 4 - 6              | 843281      | 5 - 10             | 843473      | 7 - 32             |
| 257187      | 13 - 134           | 843147      | 10 - 20            | 843282      | 5 - 11             | 843479      | 2 - 4              |
| 257189      | 13 - 134A          | 843151      | 4 - 31             | 843283      | 5 - 16             | 843481      | 13 - 147           |
| 257957      | 13 - 135           | 843153      | 4 - 9              | 843285      | 5 - 30             | 843482      | 2 - 14             |
| 257969      | 13 - 135A          | 843155      | 10 - 3             | 843285      | 5 - 40             | 843484      | 2 - 11             |
| 257986      | 13 - 136           | 843157      | 9 - 4              | 843286      | 5 - 46             | 843484      | 2A - 4A            |
| 264641      | 10 - 12            | 843159      | 11 - 5             | 843287      | 5 - 42             | 843487      | 7 - 28             |
| 265195      | 13 - 137           | 843160      | 3 - 4              | 843288      | 5 - 28             | 843530      | 2 - 12             |
| 302090      | 4 - 23             | 843160      | 4                  | 843289      | 5 - 24             | 843530      | 2A - 4B            |
| 302131      | 4 - 24             | 843161      | 10 - 21            | 843290      | 5 - 33             | 843531      | 7 - 33             |
| 303549      | 1A - 32            | 843162      | 11 - 10            | 843291      | 5 - 22             | 843532      | 10 - 7             |

## NUMERICAL INDEX

| PART NUMBER | LIST AND INDEX NO. |
|-------------|--------------------|
| 843536      | 10 - 23            |
| 843561      | 9 - 11             |
| 843566      | 7 - 44             |
| 843569      | 4 - 25             |
| 843573      | 4 - 21             |
| 843574      | 5 - 5              |
| 843575      | 5 - 3              |
| 843576      | 5 - 6              |
| 843581      | 7 - 15             |
| 843584      | 4 - 39             |
| 843587      | 7 - 11             |
| 843590      | 7 - 23             |
| 843592      | 7 - 10             |
| 843594      | 7 - 10             |
| 843595      | 7 - 20             |
| 845762      | 1A - 39            |
| 845762      | 7 - 19             |
| 1073462     | 13 - 148           |
| 1077815     | 4 - 32             |
| 1092125     | 4 - 28A            |
| 1092125     | 10 - 5             |
| 1100523     | 13 - 149           |
| 1103695     | 8 - 25             |
| 1115633     | 8 - 23             |
| 1115633     | 11 - 12            |
| 1115736     | 13 - 150           |
| 1124803     | 13 - 151           |
| 1128138     | 8 - 20             |
| 1128280     | 13 - 152           |
| 1128526     | 5 - 54             |
| 1133746     | 9 - 7              |
| 1134829     | 13 - 153           |
| 1134837     | 8 - 8              |
| 1138975     | 13 - 154           |
| 1147178     | 2 - 16             |
| 1147559     | 8 - 27             |
| 1147570     | 8 - 19             |
| 1147571     | 8 - 18             |
| 1147572     | 8 - 17             |
| 1147573     | 8 - 16             |
| 1147580     | 8 - 21             |
| 1147586     | 13 - 155           |
| 1147591     | 8 - 15             |
| 1147592     | 8 - 14             |
| 1147597     | 8 - 13             |
| 1147599     | 8 - 12             |
| 1160983     | 12 - 5             |
| 1164080     | 5 - 23             |
| 1164080     | 5 - 41             |
| 1166114     | 12 - 6             |
| 1166117     | 12 - 7             |
| 1174157     | 13 - 162           |
| 1204263     | 8 - 10             |
| 1204274     | 8 - 28             |
| 1204527     | 7 - 31             |
| 1204528     | 7 - 8              |
| 1205314     | 8 - 11             |
| 1205315     | 8 - 22             |
| 1205562     | 8 - 24             |
| 1290621     | 8 - 9              |
| 1290623     | 8 - 26             |
| 1460736     | 2A - 7             |
| 1550418     | 7 - 46             |
| 1607124     | 1 - 23             |
| 1607130     | 1 - 23             |
| 1608020     | 1A - 1A            |
| 1608201     | 1A - 27            |
| 1608202     | 1A - 27            |
| 1608203     | 1A - 27            |
| 1608205     | 1A - 27            |
| 1608211     | 2A - 17            |
| 1608212     | 2A - 4             |
| 1608213     | 2A - 3             |
| 1608214     | 2A - 10            |
| 1608217     | 1A - 27            |
| 1608218     | 2A - 13            |
| 1608219     | 2A - 14            |
| 1608220     | 2A - 16            |
| 1608221     | 2A - 8             |

| PART NUMBER | LIST AND INDEX NO. |
|-------------|--------------------|
| 1608222     | 2A - 5             |
| 1608223     | 1A - 24            |
| 1608224     | 1A - 25            |
| 1608225     | 1A - 36A           |
| 1608226     | 1A - 30            |
| 1608228     | 1A - 8             |
| 1608230     | 2A - 2             |
| 1608231     | 1A - 2             |
| 1608231     | 2A                 |
| 1608232     | 1A - 6             |
| 1608232     | 12                 |
| 1608233     | 1A - 22            |
| 1608233     | 12                 |
| 1608234     | 1A - 12            |
| 1608235     | 2A - 15            |
| 1608237     | 2A - 12            |
| 1608238     | 1A - 19            |
| 1608240     | 1A - 5             |
| 1608241     | 1A - 10            |
| 1608242     | 1A - 4             |
| 1608244     | 2A - 11            |
| 1608245     | 2A - 9             |
| 1608248     | 2A - 1             |
| 1608249     | 2A - 6             |
| 1608269     | 1 - 2              |
| 1608277     | 13 - 155A          |
| 1608329     | 1 - 20             |
| 1608329     | 1A - 3             |
| 1608337     | 1 - 28             |
| 1608377     | 7 - 50             |
| 1608378     | 7 - 49             |
| 1608403     | 1 - 13A            |
| 1608403     | 1A - 13A           |
| 1608407     | 1 - 16             |
| 1608407     | 1A - 16            |
| 1608408     | 1 - 11             |
| 1608408     | 1A - 11            |
| 1608409     | 1 - 14             |
| 1608409     | 1A - 14            |
| 1608412     | 1 - 13B            |
| 1608412     | 1A - 13B           |
| 1608414     | 1 - 17             |
| 1608419     | 1 - 13C            |
| 1608419     | 1A - 13C           |
| 1608420     | 1 - 13             |
| 1608420     | 1A - 13            |
| 1608427     | 13 - 155B          |
| 1608428     | 13 - 155C          |
| 1608436     | 1 - 25             |
| 1608446     | 1 - 1              |
| 1608446     | 2                  |
| 1608468     | 2 - 17             |
| 1608478     | 1 - 3              |
| 1608478     | 1 - 18             |
| 1608478     | 1A - 20            |
| 1608485     | 1 - 24A            |
| 1608488     | 12                 |
| 1608489     | 12                 |
| 1608492     | 12                 |
| 1608494     | 1 - 12             |
| 1608540     | 1 - 22             |
| 1608541     | 1 - 8              |
| 1608541     | 12                 |
| 1608547     | 1A - 26            |
| 1608550     | 1 - 19             |
| 1608551     | 1A - 9             |
| 1608551     | 1 - 21             |
| 1608634     | 1 - 24C            |
| 1608634     | 1A - 7             |
| 1608636     | 2 - 19             |
| 1608637     | 1 - 24B            |
| 1608649     | 12 - 25            |
| 1608688     | 12 - 25A           |
| 1608689     | 12 - 26            |
| 1608698     | 1 - 9              |
| 1608699     | 1 - 10             |
| 1608893     | 12 - 28            |
| 1638703     | 7 - 22             |
| 1638704     | 9 - 6              |

| PART NUMBER | LIST AND INDEX NO. |
|-------------|--------------------|
| 1638706     | 3 - 12             |
| 1638707     | 10 - 18            |
| 1638708     | 11 - 11            |
| 1638709     | 10 - 11            |
| 1638710     | 4 - 42             |
| 1638711     | 4 - 37             |
| 1638712     | 4 - 36             |
| 1638713     | 3 - 4              |
| 1638713     | 4                  |
| 1638714     | 4 - 19             |
| 1638714     | 9                  |
| 1638715     | 4 - 48             |
| 1638715     | 10                 |
| 1638715     | 11                 |
| 1638716     | 10 - 7             |
| 1638717     | 7 - 20             |
| 1638718     | 3 - 7              |
| 1638725     | 4 - 35             |
| 1638727     | 3 - 8              |
| 1638735     | 9 - 9              |
| 1638740     | 9 - 6              |
| 1638742     | 4 - 44             |
| 1638743     | 4 - 28             |
| 1638752     | 3 - 9              |
| 1638755     | 4 - 43             |
| 1638758     | 4 - 21             |
| 1638763     | 4 - 50             |
| 1638764     | 4 - 51             |
| 1638766     | 4 - 2              |
| 1638772     | 10 - 20            |
| 1638775     | 4 - 8              |
| 1638778     | 4 - 27             |
| 1638782     | 4 - 22             |
| 1638782     | 12                 |
| 1638783     | 7 - 23             |
| 1638785     | 3 - 4A             |
| 1638786     | 9 - 5              |
| 1638787     | 10 - 13            |
| 1638788     | 10 - 15            |
| 1638791     | 10 - 24            |
| 1638796     | 4 - 38             |
| 1638797     | 4 - 40             |
| 1638802     | 5 - 19             |
| 1638804     | 5 - 48             |
| 1638805     | 5 - 49             |
| 1638806     | 5 - 35             |
| 1638810     | 3 - 11             |
| 1638811     | 2 - 12A            |
| 1638811     | 2A - 4C            |
| 1638812     | 3 - 17             |
| 1638813     | 3 - 17             |
| 1638815     | 5 - 14             |
| 1638816     | 5 - 18             |
| 1638818     | 7 - 35             |
| 1638819     | 5 - 9              |
| 1638820     | 5 - 53             |
| 1638821     | 5 - 13             |
| 1638822     | 5 - 35             |
| 1638823     | 5 - 21             |
| 1638824     | 5 - 47             |
| 1638825     | 5 - 22             |
| 1638826     | 5 - 36             |
| 1638827     | 5 - 33             |
| 1638828     | 5 - 37             |
| 1638829     | 5 - 31             |
| 1638831     | 1A - 1             |
| 1638831     | 3 - 1              |
| 1638831     | 5                  |
| 1638832     | 5 - 27             |
| 1638833     | 5 - 24             |
| 1638834     | 5 - 29             |
| 1638835     | 5 - 2              |
| 1638836     | 5 - 1              |
| 1638837     | 4 - 10             |
| 1638838     | 5 - 8              |
| 1638841     | 5 - 7              |
| 1638844     | 13 - 155D          |
| 1638846     | 7 - 5              |
| 1638852     | 9 - 14             |

| PART NUMBER | LIST AND INDEX NO. |
|-------------|--------------------|
| 1638856     | 9 - 9A             |
| 1638857     | 3 - 18             |
| 1638879     | 7 - 10A            |
| 1638880     | 8 - 32             |
| 1638881     | 8 - 34             |
| 1638882     | 8 - 36             |
| 1638883     | 8 - 31             |
| 1638884     | 8 - 37             |
| 1638889     | 8 - 38             |
| 1638890     | 8 - 35             |
| 1638891     | 8 - 30             |
| 1638893     | 3 - 3              |
| 1638898     | 1 - 7              |
| 1638898     | 1A - 21            |
| 1638898     | 3                  |
| 1638899     | 3 - 5              |
| 1638899     | 7                  |
| 1638905     | 1A - 38            |
| 1638968     | 2A - 4B            |
| 1638988     | 5 - 49             |
| 1638990     | 7 - 20             |
| 1638991     | 4 - 41             |
| 1655339     | 12 - 27            |
| 1860276     | 1 - 29             |
| 1860276     | 1A - 33            |
| 2102364     | 1A - 23            |
| 2102365     | 1A - 23B           |
| 2114526     | 12 - 8             |
| 2152919     | 1A - 34            |
| 2157384     | 1 - 26             |
| 2181004     | 13 - 156           |
| 2181011     | 13 - 156A          |
| 2181071     | 13 - 157           |
| 2446037     | 2 - 20             |
| 2451121     | 1 - 17             |
| 2451121     | 1A - 17            |
| 2451189     | 1 - 2              |
| 2451197     | 13 - 164           |
| 2451223     | 1 - 31             |
| 2451223     | 1A - 37            |
| 2451223     | 13 - 157A          |
| 2451314     | 1A - 17            |
| 2451324     | 2A - 18            |
| 2451325     | 2A - 19            |
| 2451347     | 1A - 7             |
| 2451348     | 1A - 5             |
| 2451359     | 1A - 7             |
| 2451361     | 1A - 5             |
| 2451363     | 1A - 27            |
| 2451364     | 2A - 2             |
| 2451365     | 1A - 2             |
| 2451365     | 2A                 |
| 2451366     | 1A - 10            |
| 2451367     | 1A - 12            |
| 2451388     | 1A - 19            |
| 2451397     | 1A - 13C           |
| 2454975     | 12 - 9             |
| 2526734     | 4 - 30             |
| 2526734     | 9 - 10             |
| 2544086     | 7 - 37A            |
| 2545925     | 8 - 2              |
| 2546373     | 12 - 10            |
| 2546652     | 12 - 11            |
| 2588872     | 13 - 158           |
| 2594621     | 5 - 50             |
| 2637680     | 12 - 12            |
| 2637682     | 12 - 13            |
| 2637689     | 12 - 14            |
| 2706647     | 7 - 47             |
| 2706648     | 7 - 34             |
| 2706649     | 7 - 39             |
| 2728872     | 7 - 13             |
| 2731394     | 12 - 12A           |
| 4410769     | 8 - 33             |
| 4410771     | 4 - 53             |
| 4410772     | 4 - 54             |
| 4410779     | 1A - 38            |
| 4410797     | 1A - 1             |
| 4410797     | 3 - 1              |

## NUMERICAL INDEX

| PART NUMBER | LIST AND INDEX NO. | PART NUMBER | LIST AND INDEX NO. | PART NUMBER | LIST AND INDEX NO. | PART NUMBER | LIST AND INDEX NO. |
|-------------|--------------------|-------------|--------------------|-------------|--------------------|-------------|--------------------|
| 4410797     | 5                  |             |                    |             |                    |             |                    |
| 4410799     | 1A - 18            |             |                    |             |                    |             |                    |
| 4685093     | 12 - 15            |             |                    |             |                    |             |                    |
| 4836376     | 1A - 17            |             |                    |             |                    |             |                    |
| 4836378     | 1A - 13            |             |                    |             |                    |             |                    |
| 4836379     | 1A - 13B           |             |                    |             |                    |             |                    |
| 5130489     | 7 - 43             |             |                    |             |                    |             |                    |
| 5130688     | 7 - 21             |             |                    |             |                    |             |                    |
| 5252662     | 7 - 42             |             |                    |             |                    |             |                    |
| 5261296     | 7 - 40             |             |                    |             |                    |             |                    |
| 5261899     | 7 - 45             |             |                    |             |                    |             |                    |
| 5319854     | 13 - 159           |             |                    |             |                    |             |                    |
| 5350006     | 13 - 160           |             |                    |             |                    |             |                    |
| 5352958     | 12 - 24            |             |                    |             |                    |             |                    |
| 5353922     | 12 - 16            |             |                    |             |                    |             |                    |
| 5364692     | 1A - 40            |             |                    |             |                    |             |                    |
| 5412817     | 12 - 17            |             |                    |             |                    |             |                    |
| 5800610     | 12 - 18            |             |                    |             |                    |             |                    |
| 5800674     | 12 - 18A           |             |                    |             |                    |             |                    |
| 5863336     | 7 - 24             |             |                    |             |                    |             |                    |
| 5863337     | 7 - 25             |             |                    |             |                    |             |                    |
| 5863338     | 7 - 26             |             |                    |             |                    |             |                    |
| 5863340     | 7 - 26             |             |                    |             |                    |             |                    |
| 5863341     | 7 - 24             |             |                    |             |                    |             |                    |
| 5863342     | 7 - 25             |             |                    |             |                    |             |                    |
| 5998622     | 12 - 18B           |             |                    |             |                    |             |                    |
| 5999990     | 12 - 18C           |             |                    |             |                    |             |                    |





READER'S COMMENT FORM

Please use this form only to identify publication errors or request changes to publications. Technical questions about IBM systems, changes in IBM programming support, requests for additional publications, etc, should be directed to your IBM representative or to the IBM branch office nearest your location.

Error in publication (typographical, illustration, and so on). No reply.

Page Number Error

Inaccurate or misleading information in this publication. Please tell us about it by using this postage-paid form. We will correct or clarify the publication, or tell you why a change is not being made, provided you include your name and address.

Page Number Comment

Note: All comments and suggestions become the property of IBM.

Name \_\_\_\_\_  
Address \_\_\_\_\_  
\_\_\_\_\_

● No postage necessary if mailed in the U.S.A.

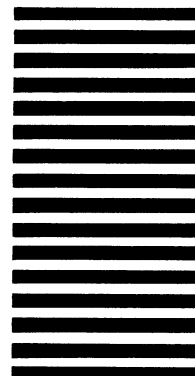
Cut Along Line

Fold

Fold



NO POSTAGE  
NECESSARY  
IF MAILED  
IN THE  
UNITED STATES



**BUSINESS REPLY MAIL**  
FIRST CLASS PERMIT NO. 40 ARMONK, N.Y.

POSTAGE WILL BE PAID BY ADDRESSEE:

IBM Corporation  
General Systems Division  
Development Laboratory  
Publications, Dept. 245  
Rochester, Minnesota 55901

Fold

Fold



**International Business Machines Corporation**

**General Systems Division  
4111 Northside Parkway N.W.  
P.O. Box 2150  
Atlanta, Georgia 30301  
(U.S.A. only)**

**General Business Group/International  
44 South Broadway  
White Plains, New York 10601  
U.S.A.  
(International)**

IBM 5103 Printer Parts Catalog Printed in U.S.A. S131-0598-3

(

-

(

,

/

,

(

.

/

(

**5103**

**5103**

Fold

*Use clear acetate tab  
obtained locally*

S131-0598-3



**International Business Machines Corporation**

**General Systems Division  
4111 Northside Parkway N.W.  
P.O. Box 2150  
Atlanta, Georgia 30301  
(U.S.A. only)**

**General Business Group/International  
44 South Broadway  
White Plains, New York 10601  
U.S.A.  
(International)**

Printed in U.S.A. S131-0598-3